

CHIMNEY CONNECTOR WALL THIMBLE

MODEL IWT

INSTALLATION INSTRUCTIONS

Warnock Hersey
 LISTED ULC-S641/UL103

**IT IS OF THE UTMOST IMPORTANCE THAT
THIS WALL THIMBLE BE INSTALLED ONLY IN
ACCORDANCE WITH THESE INSTRUCTIONS**

**PLEASE READ ALL INSTRUCTIONS BEFORE BEGINNING YOU INSTALLATION.
FAILURE TO INSTALL THIS SYSTEM IN ACCORDANCE WITH THESE INSTRUCTIONS
WILL VOID THE CONDITIONS OF CERTIFICATION AND THE MANUFACTURERS
WARRANTY. KEEP THESE INSTRUCTIONS IN A SAFE PLACE FOR FUTURE USE.**

SELKIRK CANADIAN OPERATIONS

P.O. Box 526, Depot 1
Hamilton, Ontario L8L 7X6
(905) 662-6600, 1-800-263-9308
Fax (905) 662-5352

3/08/00

RM19916-1

8/04/00

For Installation into Masonry Chimneys

READ INSTRUCTIONS CAREFULLY BEFORE STARTING THE PROJECT. REMEMBER THAT SAFETY COMES FIRST. OUR MODEL WPT WALL THIMBLE IS DESIGNED FOR INSTALLATION BY A QUALIFIED PERSON IN ACCORDANCE WITH LOCAL BUILDING CODES

IMPORTANT

YOUR WALL THIMBLE HAS BEEN TESTED, AND LISTED USING ALL THE PARTS DESCRIBED HEREIN. DELETION OR MODIFICATION OF ANY OF THE REQUIRED PARTS OR MATERIALS MAY SERIOUSLY IMPAIR THE SAFETY OF YOUR INSTALLATION, AND VOID THE CONDITIONS OF CERTIFICATION AND OR WARRANTY OF YOUR WALL PASS THROUGH.

CONTENTS

	Page
1	General Instructions.....2
2	Required Parts.....2
3	Tools Required.....2
4	Thimble Installation.....2-4
5	Finish off Wall Opening.....4
6	Warranty.....5-6

SELKIRK CANADIAN OPERATIONS

P.O. Box 526, Depot 1
Hamilton, Ontario L8L 7X6
(905) 662-6600, 1-800-263-9308
Fax (905) 662-5352

1.0 GENERAL INSTRUCTIONS

.1 Read instructions carefully before starting the project. Remember that safety comes first. Wear gloves and eye protection while you work.

.2 Your Wall Thimble is an insulated product for installation into masonry chimneys, (with or without a stainless steel chimney liner) where the connection to a heating appliance penetrates a wall made of combustible materials. It is an all fuel product (solid, liquid, gas) intended for use with residential type appliances, and building heating appliances in which the maximum continuous gas outlet temperatures do not normally exceed 650° C (1200°F).

.3 Your Wall Thimble bearing the Warnock Hersey label has listed by Intertek Testing Services and is designed to be installed by a professional person or competent handyman.

.4 Ensure your installation will conform with all federal and municipal building code requirements. Before commencing installation, CONTACT LOCAL BUILDING OR FIRE OFFICIALS ABOUT RESTRICTIONS AND INSTALLATION INSPECTION IN YOUR AREA. Obtain any necessary building permits.

.5 Be sure your Wall Thimble size conforms with the heating appliance manufacturer's specifications and the size of your stainless steel chimney liner (if existing).

.6 If your heating appliance has the stove pipe outlet located horizontally out the back of the unit, avoid locating the wall thimble directly behind and in line with the outlet.

2.0 REQUIRED PARTS

- 1 - Wall Thimble and Trim Collar
- 1 - Insulation Pad
- 6 - Concrete screws
- 1 - slip connector if chimney has a stainless steel liner.

3.0 TOOLS REQUIRED

- | | |
|---------------------------|--------------------------|
| - Eye Protection | - Gloves |
| - 3/16" Masonry drill bit | - Electric Drill |
| - Pliers | - Tin Snips |
| - Hacksaw | - Screwdriver |
| | - 5/16" Wrench or Socket |

For installation in a chimney without a stainless steel liner:

- | | |
|---------------------------|---------------|
| - Hammer | - Cold Chisel |
| - Small bag of mortar mix | - Mortar pan |
| | - Trowel |

4.0 THIMBLE INSTALLATION

.1 Before commencing your installation, ensure that the combustible wall has a minimum air space clearance of at least 1/2" to the chimney wall (see figure 3 and 4).

.2 Masonry chimney with stainless steel liner

a) In this case, the access opening in the chimney with the tee branch mortared in position is existing. Check the diameter of the tee in the chimney and the diameter of the thimble liner. It is very likely that they are exactly the same size and will not fit into each other. If this is the case, take a slip connector and cut it to a length of between 6 and 10 inches measured from the beaded end (see figure 1).

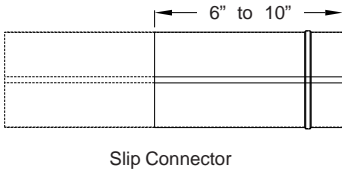


FIGURE 1

b) Next take the thimble and cut the protruding section of liner off at the flange (see figure 2).

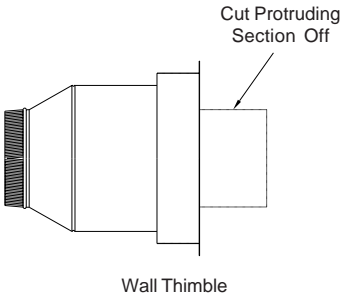


FIGURE 2

c) Slide the slip connector with the beaded end into the tee branch in the chimney. Slip the insulation pad and the thimble over the slip connector into place.

d) Hold the thimble in position, drill 6 holes (use holes in flange for positioning) 1-1/2" deep with a 3/16" masonry bit into chimney wall and secure the thimble with the 6 supplied masonry screws (see figure 3).

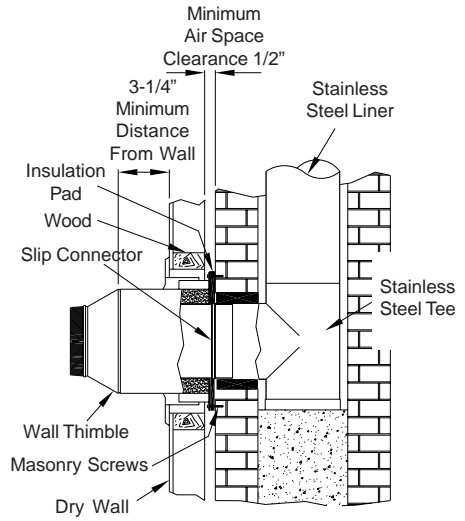


FIGURE 3

.3 Masonry chimney without stainless steel liner

a) If no opening for a stove pipe connection exists in the chimney wall, remove enough brick with a masonry drill bit, cold chisel and hammer, to fit the thimble liner. Finish the opening off slightly larger than the liner with some mortar. Measure the thickness of the chimney wall and cut the protruding part of the thimble liner so that the pipe will not extend into the chimney flue when installed (see figure 4).

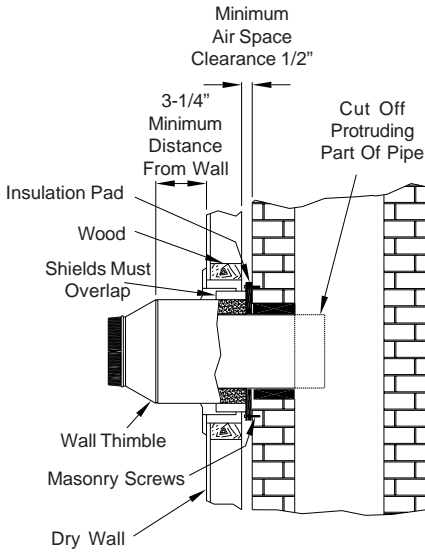


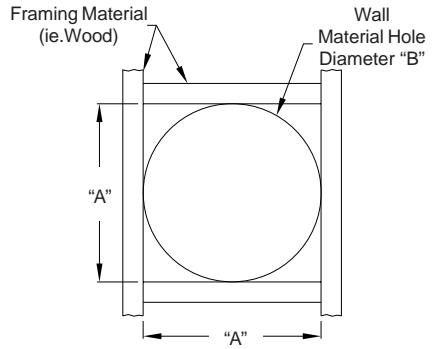
FIGURE 4

b) Slip the insulation pad onto the thimble liner and slide the liner into the chimney opening.

c) Hold the thimble in position, drill 6 holes (use holes in flange for positioning) 1-1/2" deep with a 3/16" masonry bit into chimney wall and secure the thimble with the 6 supplied masonry screws.

5.0 FINISH OFF WALL OPENING

.1 Frame in your wall thimble using appropriate material to the size as shown and specified in figure 5.



THIMBLE SIZE	FRAMING DIM. "A"	HOLE DIA. "B"
5"	13 - 1/8"	13 - 1/8"
6"	14 - 1/8"	14 - 1/8"
7"	15 - 1/8"	15 - 1/8"
8"	16 - 1/8"	16 - 1/8"

FIGURE 5

.2 Cut a piece of wall material (ie. drywall) large enough to cover the entire opening. Then cut a round hole in the material (using the radiation shield on the trim plate as a template) at the location where the wall thimble will pass through.

.3 After putting the piece of wall material in place, slide the trim collar containing the radiation shield into position and fasten in place using nails or screws.

.4 If trim collar does not fit flush with wall, remove the trim collar and cut back the radiation shield sufficiently so the trimplate will fit flush with the wall. Reinstall the trim collar radiation shield and fasten in place.

MODEL IWT

LIMITED LIFETIME WARRANTY

LIMITED LIFETIME WARRANTY:

Selkirk Canadian Operations, (“we”, “us”, “our”) warrants Chimney & Venting products * to be free from defects in material and workmanship for as long as the original consumer owns the system. For products installed after January 1, 2000, for a period of Ten (10) years from original installation, we will provide replacement product with a similar or like quality of available product, **free of charge** excluding any installation costs. From the Eleventh (11) through Fifteenth (15) years we will provide replacement product to the original consumer at a cost of 75% off the published Retail Price in effect on the date the claim is received excluding any installation costs. At expiration of the Fifteen (15) year term, we will provide replacement product to the original consumer at a cost of 50% off the published Retail Price in effect on the date the claim is received excluding any installation costs.

LIMITATIONS:

- - Products must be installed for their intended purpose.
- - Products must be connected to an appliance listed with an accredited testing laboratory.

WARNING: WARNING: FAILURE TO INSTALL PRODUCTS ACCORDING TO THE MANUFACTURER’S INSTRUCTIONS WILL VOID ALL APPLICABLE WARRANTIES AND MAY RESULT IN FIRE, CARBON MONOXIDE POISONING OR DEATH. SEE THE PRODUCT INSTALLATION INSTRUCTIONS FOR COMPLETE INSTRUCTIONS.

THIS LIMITED WARRANTY DOES NOT COVER:

- (a) any non-stainless base tee unit mounted or connected to an Insulated Chimney system;
- (b) **costs (labor or otherwise **) associated with either removing a previously installed product, installing a replacement product, transportation or return of a product, or transportation of replacement product;**
- (c) damage to the finish of products caused by the use of improper solvents/chemicals or improper cleaning methods;
- (d) damage resulting from failure to reasonably clean, care for or maintain products in accordance with our installation instructions/recommendations;
- (e) damage (to products, appliances or structure) based on or resulting from improper installation or repair, misuse or abuse (including, but not limited to, excessive or improper operating condition), or alteration or adjustment other than in conformity with our installation instructions and specifications, whether performed by a contractor, service company, technician, or yourself;
- (f) any products that have been moved from their original installation site.
- (g) damage caused by burning driftwood, garbage, or any other prohibitive material has been burned in the appliance served by the chimney
- (h) damage that results from accidents such as fire, flood, high winds, “acts of God”, or any other contingency beyond our control.

**** Due to the wide variance in installation practices and other conditions beyond our control, we do not guarantee or in any way warrant the installation of Chimney and Venting products.**