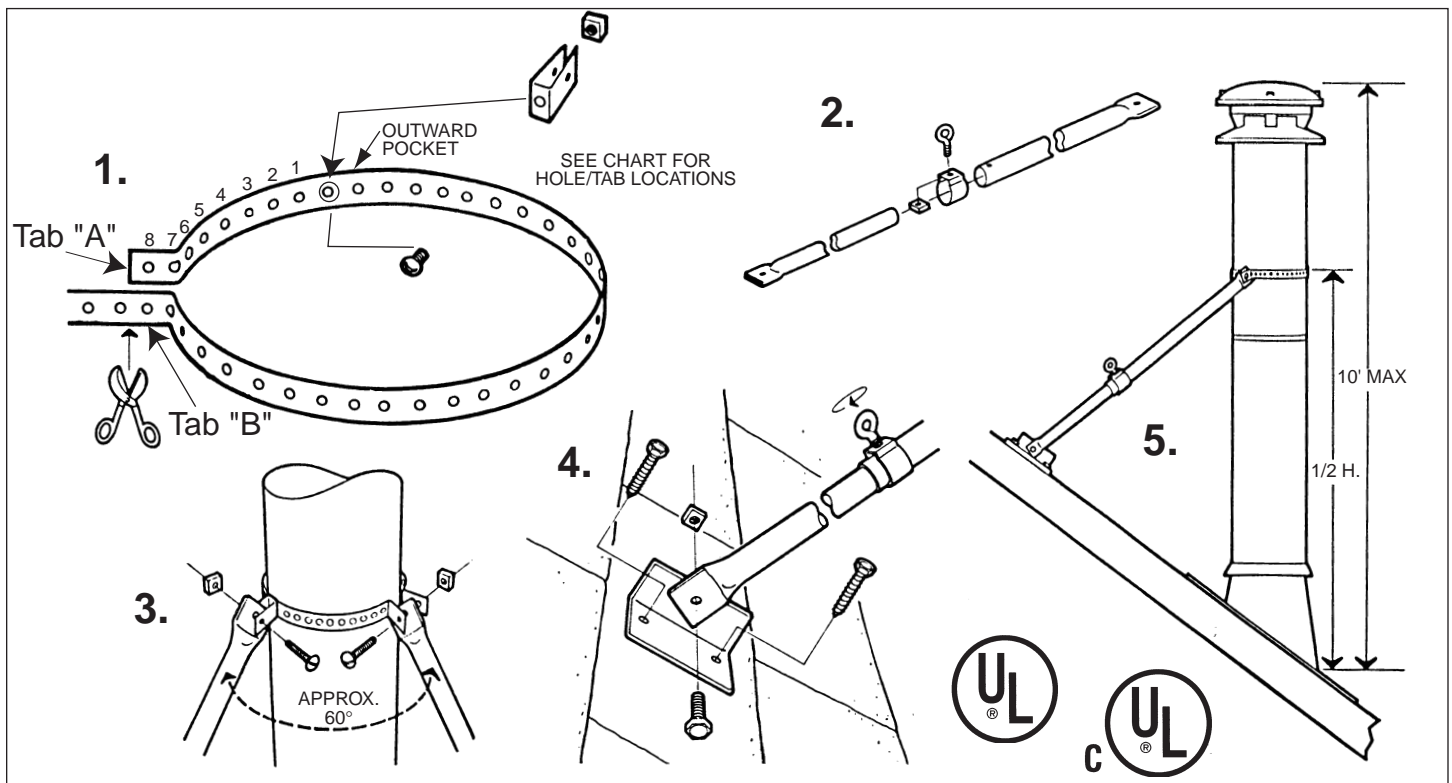


# UNIVERSAL ROOF BRACE KIT ASSEMBLY



## “Universal Roof Brace Kit” Assembly (See Corresponding Figures);

After extending chimney to required height above roof, per main installation instructions:

1. Identify formed outward pocket in band that will be wrapped around pipe. Use “Hole/Tab Selection Chart” to determine number of holes to count in each direction (from pocket) to tab position. Bend tabs as shown. Secure “U”-clip to pocket with screw and nut as shown. Wrap band around pipe (at approx. location shown in Fig. 5) to confirm band becomes tight when tabs are pulled together. Remove excess material from tab ends as shown.
2. Assemble tubular, telescoping legs as shown. Loosely secure eye-bolt to position legs in partially extended position.
3. Use additional bolts and nuts to attach top end of tubular legs to band as shown. Rotate/adjust location of band/leg assembly to orientation shown in Fig. 5. Re-adjust leg length as necessary.
4. Secure bottom end of legs to brackets and brackets to roof with hardware as shown, keeping bottom ends equidistant from pipe and at approx. same elevation, on high side of sloped roof.
5. Check final assembly for compliance with dimensions shown in Fig. 5 and tighten all fasteners securely.

## Universal Roof Brace Kit – Hole / Tab Selection Chart

Chimney Model	Inside Diameter (inches)	Distance (# holes) from “Pocket” to bolt hole in tab “A”	Distance (# holes) from “Pocket” to bolt hole in tab “B”
SSII / SG Plus / SS Plus	5	4	18
SSII / SG Plus / SS Plus	6	4	21
SSII / SG Plus / SS Plus	7	5	23
SSII / SG Plus / SS Plus	8	5	27
SSII / SG Plus / SS Plus	10	6	32
SSII / SG Plus / SS Plus	12	7	37
SSII / SG Plus / SS Plus	14	8	42
CF “SENTINEL”	6	6	27
CF “SENTINEL”	7	6	31
CF “SENTINEL”	8	7	34