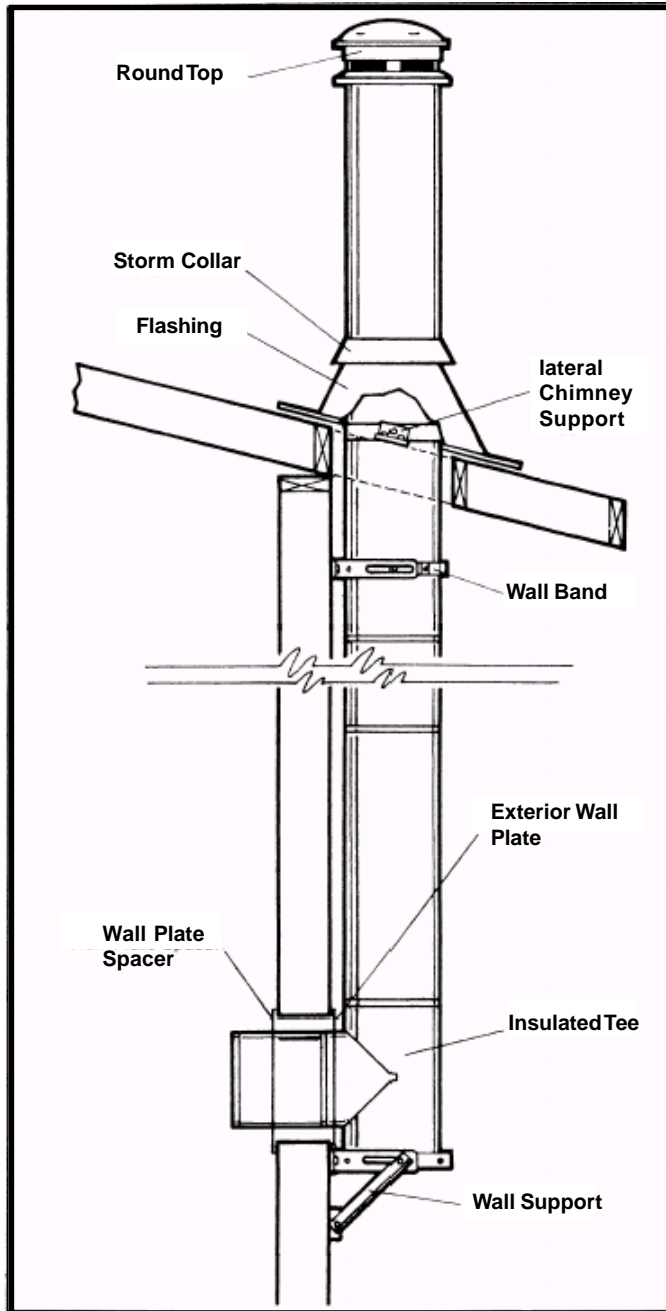




Manufactured by Selkirk Canada Inc. Brockville, Ontario

# Installation Instructions for MODEL CF CHIMNEY WALL SUPPORTED CHIMNEY



These installation requirements are based on complete tests of the Model CF Chimney in accordance with the Standard for 650 deg. C Factory-Built Chimneys CAN/ULC S629-M87.

Approval of this factory-built chimney is based on the use of parts supplied by Selkirk and installation in accordance with these instructions.



## IMPORTANT:

**A Major Cause of Chimney-Related Fires Is Failure To Maintain Required Clearances (Air Space) To Combustible Materials. The Model CF chimney requires 2" (50mm) clearance to combustible material. DO NOT place any type of insulation in this required clearance space surrounding the chimney.**

**It is of utmost importance that this chimney be installed only in accordance with these instructions. Certification of the chimney is void if the installation instructions are not followed. Read Them First.**

## FUELS & APPLIANCES:

The Model CF chimney, may be used for gas, oil, wood and coal-fired residential type appliances normally producing flue gases of 1200°F (650°C) or less. The Model CF chimney is intended for use in accordance with the National Building Code of Canada, The installation Code for Oil Burning Equipment CSA B139, Gas Burning Equipment CAN-B149.1 & CAN-B149.2, and the Installation Code for Solid Fuel Fired Appliances CSA B365. It may be used with listed factory Built Fireplaces as specified in the fireplace manufacturer's installation instructions and identified on the fireplace label and with Masonry fireplaces.

**REMEMBER; AN ADEQUATE AMOUNT OF AIR MUST BE SUPPLIED TO THE APPLIANCE TO ENSURE PROPER OPERATION.**

## CHOOSING YOUR HEATING APPLIANCE:

There are three important rules for selecting a woodburning stove, fireplace or heater.

- FIRST:** Look for a label or nameplate attached to the appliance which bears the mark or name of a wellknown safety testing organization\* or laboratory.
- SECOND:** Don't buy a solid fuel heating appliance which is bigger than necessary.
- THIRD:** Look or ask for complete installation, operating and maintenance instructions for the appliance. If you can't get these, buy one that gives you all these very important details.

\*Such as Underwriters' Laboratories of Canada or Warnock Hersey Professional Services Limited.

## CHIMNEY SIZING:

The correct chimney size is essential to the efficient operation of the chimney and the appliance which it serves. Consult the appliance manufacturer's installation instructions or your dealer for proper chimney diameter size.

**WHEN INSTALLING YOUR CHIMNEY AND WOODBURNING STOVE OR FIREPLACE SYSTEM, REMEMBER...SAFETY FIRST.**

You may well have a basic knowledge of carpentry and the use of hand tools. However, it is important that you also review the rules of safety on the following pages. If you have any doubt about your ability to complete your installation in a workmanlike manner, you should arrange for a professional installation.

**RULES FOR SAFETY DURING INSTALLATION:**

1. Read all installation sheets. Look for them in the cartons, or ask your dealer for a complete set. Keep the instructions handy and save them for future reference.
2. Check your local building, installation and fire codes for all requirements affecting the fuel-burning appliance and its chimney. Such as:
  - CSA-B365 Installation Code for Solid Fuel Burning Appliances and Equipment.
  - CSA-B139 Installation Code for Oil Burning Equipment.
  - CAN-B149 Installation Code for Gas Burning Appliances & Equipment.
  - National and Provincial Building Codes of Canada.
  - Provincial Building Codes.
3. Obtain a building permit for both the appliance and the chimney. Contact local building or fire officials about restrictions and installation inspection in your area. **IMPORTANT:** An improperly installed heating system can void your fire insurance.
4. Be very careful around electrical wiring and be sure it is secured at least 2 inches away from any part of the chimney. If wiring must be relocated, hire a professional electrician.
5. Be sure that ladders are in good condition and always rest on a level firm surface.
6. Wear gloves when handling sheet metal parts with sharp edges.
7. Be sure that electrically powered tools are properly grounded.

**GENERAL INSTALLATION RULES:**

1. Situate the chimney in the structure so that it can be installed without cutting joists, sills, plates or load bearing partitions or members.
2. Each wood or coal appliance should have its own chimney. **DON'T INTERCONNECT.**
3. There should be no draft regulators on solid fuel equipment and smoke pipes and cleanout caps should be tight.
4. A minimum smoke pipe length of 1 m (3 ft.) between appliance and chimney is recommended.
5. Continuous operating flue gas temperature should not exceed 650C (1200F).

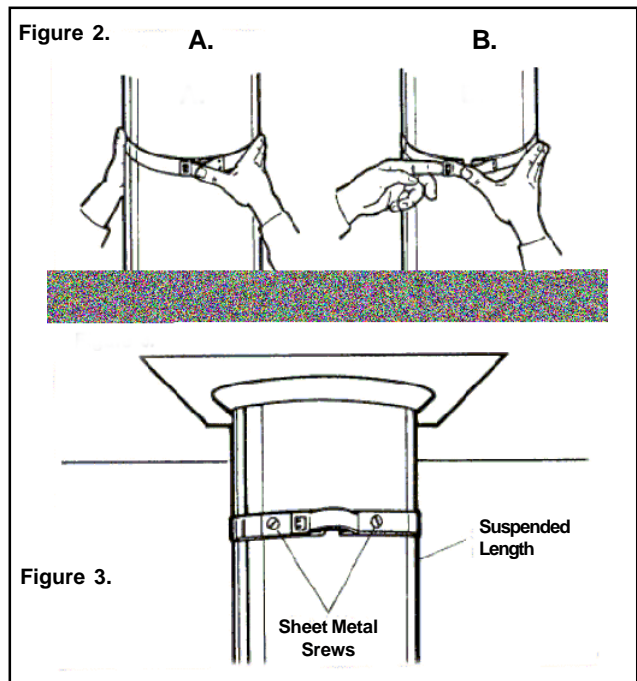
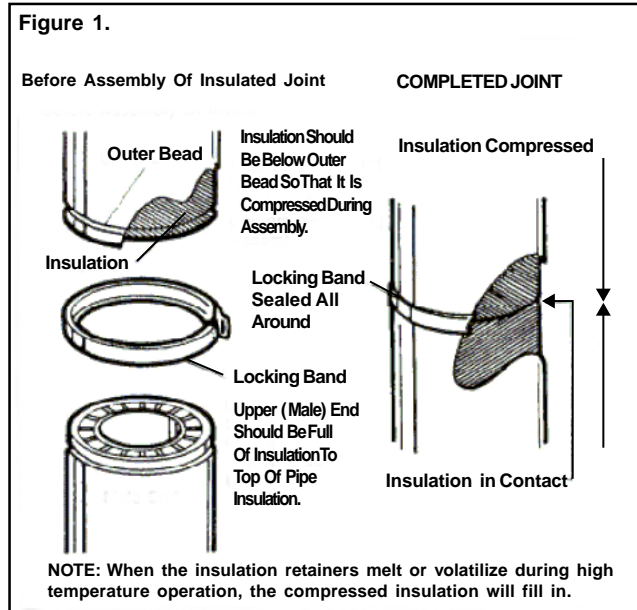
**CF JOINT SECURITY:**

High internal gas temperatures in a chimney force the internal pipe to expand or lengthen. This, in turn, may cause the joints to separate if they are not securely locked. Use of chimney cleaning brushes may also cause joints to unlock.

**WARNING:**

- a) The chimney pipe and fittings must be assembled only with the locking bands as furnished.
- b) Support all offsets with an offset support and adequate strapping.
- c) Attach smoke pipe parts securely to each other, and to the appliance using three metal screws per joint.

1. The clasp lockbands are simply seated in the beads of the joints and clipped together. Figure 1 & 2A.
2. To remove the lockband, the clasp is pushed in and then unhooked. Figure 2B (Lift the clasp with a screwdriver if necessary).
3. When a chimney section is suspended e.g.: below a ceiling support then the band and the joints should be fastened using two (2) #6 X 1/2" sheet metal screws. (Drill 3/32 holes). Figure 3.



**CHIMNEY OPERATION AND MAINTENANCE:**

All chimneys should be inspected at least once a year to determine that their physical integrity is being maintained. The need for chimney maintenance also depends on the kind of appliance and how it is operated. Wood and coal-burning appliances may need a great deal of chimney maintenance. Open front fireplaces without doors usually dilute their smoke with large amounts of air. Thus the buildup of chimney deposits is generally very low. "Air tight" or controlled draft wood stoves and heaters produce dense smoke if they are loaded for long duration or overnight fires, and can rapidly produce heavy, thick creosote deposits. It is possible, by having a short duration daily hot fire, to burn off these deposits or prevent them from building up to dangerous levels. This takes skillful operation and an appreciation of how to get the correct temperature.

**CREOSOTE AND SOOT FORMATION AND NEED FOR REMOVAL:**

When wood is burned slowly, it produces tar and other organic vapors, which combine with expelled moisture to form creosote. The creosote vapors condense in the relatively cool chimney flue of a slow-burning fire. As a result, creosote residue makes an extremely hot fire.

With coal, which can burn with a smoky fire, this smoke also condenses in the chimney to form soot.

The chimney should be inspected at least once every 2 weeks during the heating season to determine if a creosote or soot buildup has occurred.

If creosote has accumulated, it should be removed to reduce the risk of a chimney fire.

If you see deposits more than 1/16 inch thick, clean all of the chimney parts mechanically. This means using brushes, scraping or equivalent. Don't start a chimney fire! With only slight deposits, try a hot fire to see if the black deposits change to light ash, or fall down the chimney and the inside of the appliance for deposits. Do not use chemical cleaners, they may corrode the inside of the chimney. They may or may not prevent or remove creosote. When they are used together with a hot fire, it is probably the fire that is doing the work.

Depending on the rate of buildup, as you learn what is going on in the chimney, you can adjust your cleaning schedule.

If you have any doubts about your ability to clean the chimney, or if the deposits are very heavy and hard to remove, call a professional chimney sweep. Do not try to burn them off.

It doesn't matter how careful you are with loading, fuel wood selection or draft control, you should observe the above precautions with any wood stove or chimney installation.

**CHIMNEY FIRES AND WHAT TO DO ABOUT THEM**

Your Model CF Chimney is not intended or designed for use as a combustion or fire chamber. It is very easy to overfire your woodburning appliance with kindling, scrap lumber, brush or any fast burning fuel. This can produce flames and high temperatures all the way up the chimney, and may cause chimney damage.

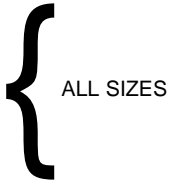
If you see your appliance or the smoke pipe glowing red, you are risking chimney damage, or a fire. The creosote may be burning inside the chimney. If you see flames coming out of the top, you are either overfiring or there is a chimney fire.

If the fire in your heater has gotten out of control, or if you suspect a chimney fire for any reason, follow these steps:

1. Immediately close all dampers and/or air entrance openings to your appliance. This includes doors on Franklin type stoves. Block off fireplace openings.
2. Alert your family to the possible danger.
3. Inspect your appliance and chimney surroundings for possible fire. If in doubt, alert your fire department.
4. Do not continue to use your appliance until it and your chimney have been thoroughly inspected. Overheating can cause metal parts to expand, buckle and crack. If you are not certain, have a qualified service technician disassemble all parts so they can be inspected and replaced).

5. Do not use salt or water on the fire in your appliance. Salt is corrosive and water will cause a danger steam explosion. You might be able to control the fire by using ashes, sand or baking soda, since baking soda is an ingredient used for dry chemical fire extinguishers.

6. After a chimney fire, when it is safe to do so, check internal locations such as the attic and under the roof and keep watching for two or three hours. There may be delayed smoldering and subsequent ignition, even if the fire inside the chimney has been controlled.

<b>Table 1. Framing and Support Table</b>			
Model CF Chimney			
Inside Diameter	<b>6"</b>	<b>7"</b>	<b>8"</b>
Outside Diameter	<b>267mm (10-1/2")</b>	<b>299mm (11-3/4")</b>	<b>330mm (13")</b>
Enclosure Framing (Square)	<b>369mm (14-1/2")</b>	<b>400mm (15-3/4")</b>	<b>432mm (17")</b>
* Ceiling Support Framing (Square)	<b>362mm (14-1/4")</b>	<b>362mm (14-1/4")</b>	<b>362mm (14-1/4")</b>
Approx. weight kg/m (lbs/ft.)	<b>11.5 (8)</b>	<b>13.5 (9)</b>	<b>15.5 (10.5)</b>
Maximum Height for all supporting methods			
Ceiling Support Package	12m (40')		<b>ALL SIZES</b>
Interior Resupport Assembly/ Offset Support	9 m (30')		
Wall Support Package	12 m (40')		
Roof Support	9 m (30')		
Minimum Clearance to combustibles 50 mm (2" ) all sizes			
* The clearance to combustibles obtained with a correctly installed Ceiling Support Assembly in the framed opening specified has been tested. The 2" clearance does not apply at this location.			

## WALL SUPPORT ASSEMBLY AND INSTALLATION:

1. Determine the center line of the lateral connection and, in a combustible wall frame an opening to the dimensions shown in table 3. For a non-combustible wall (e.g. concrete block), cut a hole 4mm (1/8") greater in diameter than the outside diameter of the chimney (Table 3).

Chimney Size	E		F
	Hole Non Combustible	Framed Opening Combustible	Framing For Bracing
6"	10 5/8" (270mm)	14 1/2" (369mm)	11 1/2" (292mm)
7"	11 7/8" (302mm)	15 3/4" (400mm)	12 3/4" (324mm)
8"	13 1/8" (334mm)	17" (432mm)	14" (356mm)

**A.** Framing for through the wall insulated tee

**B.** Framing for tee facing away from the wall

2. Assemble braces, brackets and angles to the base plate using 1/4" nuts and bolts, with braces up or down as necessary (Down if chimney goes through wall). Figure 4 & 5.

3. Nail brackets and angles to framing temporarily making sure that base plate is level (and in position to allow for installation of wall plates, if chimney goes through a wall).

4. Mark, and drill 5/32" pilot holes in framing for lag screw location, or install masonry anchors in proper locations.

5. Remove nails, install lag screws or anchor bolts in all holes and tighten all bolts in the assembly.

6. If tee is located on an outdoor wall, place the exterior wall plate over the horizontal tee branch, and then attach the selected horizontal pipe extension to the tee branch.

7. Place this assembly of tee exterior wall plate and horizontal pipe extension into the wall opening and onto the base, to check centering and clearances. Make sure there are no interferences. If the tee is outdoors, keep in mind that louver openings in the exterior wall plate must be down to keep the rain out.

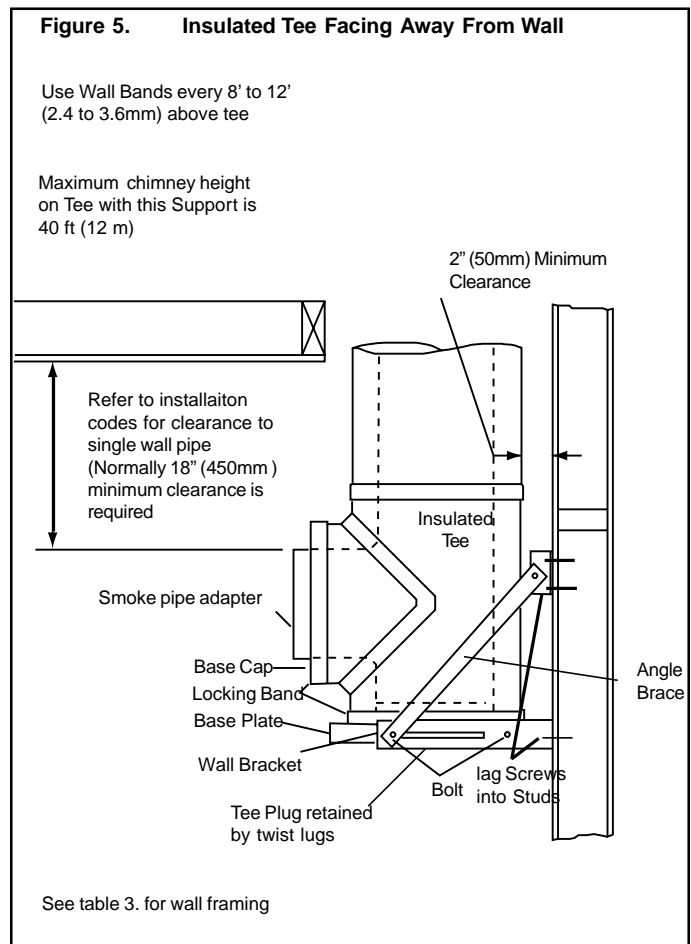
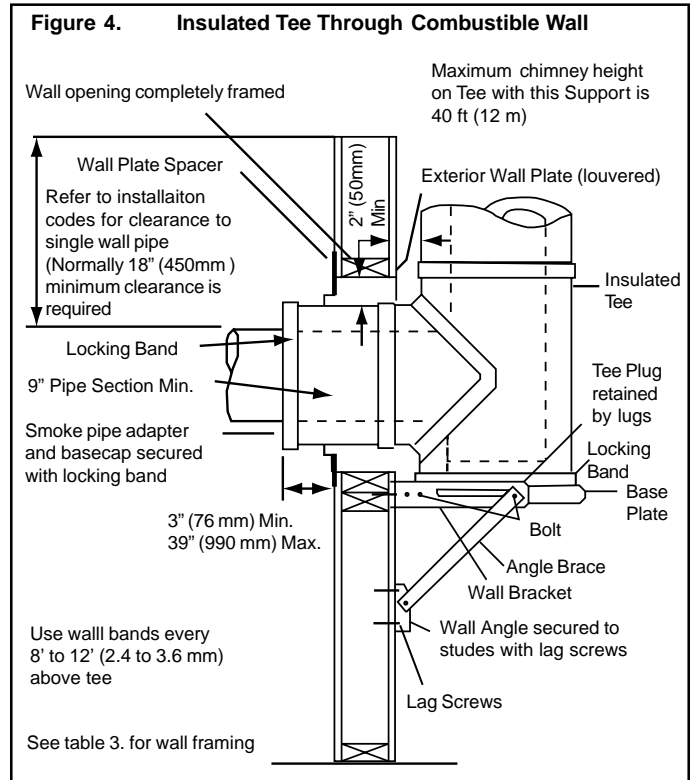
8. If the tee and chimney will be fully enclosed in a chase or shaft or the wall is non-combustible the exterior wall plate need not be used.

9. After checking fit, secure tee to integral basecap of base plate with a locking band. Install tee plug and turn twist lugs.

10. For installation through a non-combustible wall seal around the outside horizontal chimney length using a low modulus silicone sealant. Continue with instructions.

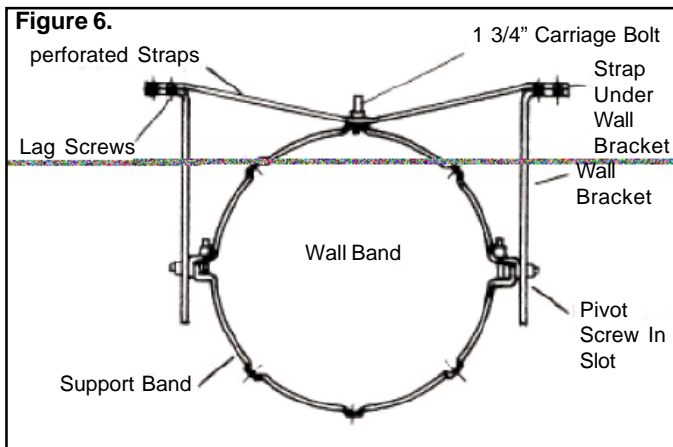
11. Use CF chimney to extend through-the-wall. Use the wall plate spacer on the interior wall to center and support the horizontal extension. Remember that the chimney pipe length selected must extend at least 3" (76 mm) beyond the wall and must be centered in the wall opening. The maximum length of pipe out from the wall is 39" (990 mm).

12. To stabilize the chimney above the wall support, use wall bands spaced every 8 to 12 feet (2.4 to 3.6 m).



## WALL BAND INSTALLATION:

1. The required 50mm (2") minimum clearance is established by the 1 3/4" center (carriage) bolt. Place the 1 3/4" carriage bolt through the center offset of the band half nearest the wall. Place single hole ends of the perforated straps over this bolt. Install nut tight against strap so that straps are horizontal.
2. Clamp the two halves of the support band around the chimney pipe using the long bolts through the band end tabs. First install the pivot screws.
3. Place the wall brackets (long slotted parts) over the pivot screws projecting out from the end tabs and hand tighten.
4. Line up the perforated straps and wall brackets, then mark position on wall for lag screws or anchors to go through both the straps and brackets.
5. Install lag screws or anchors and tighten pivot nuts. When all bolts and straps are secured in place around the chimney, the chimney will be stabilized against horizontal displacement.



## FLASHING AND LATERAL CHIMNEY SUPPORT INSTALLATION:

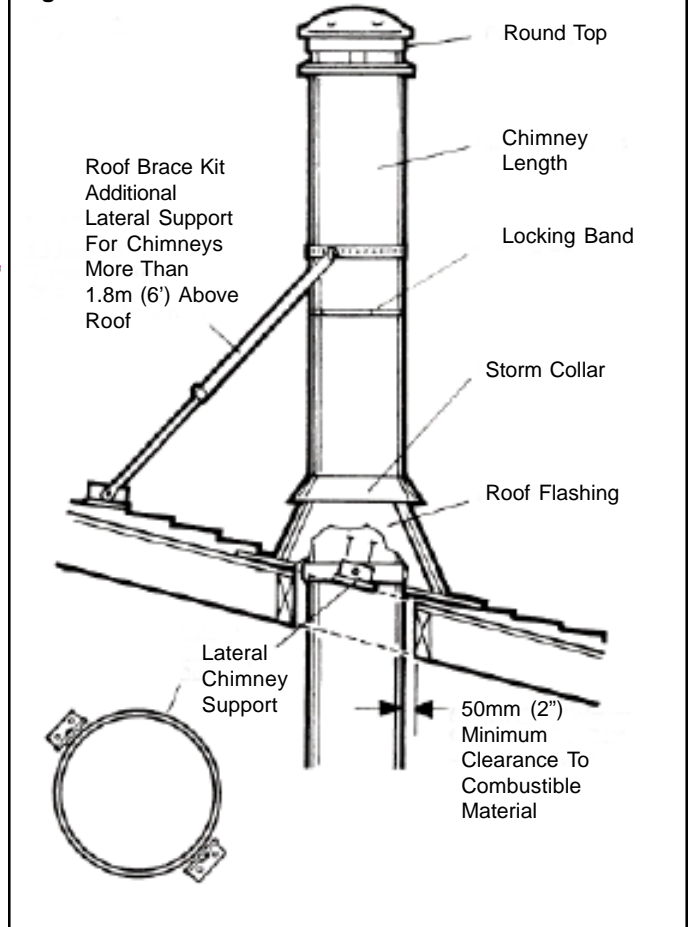
1. Frame a RECTANGULAR opening to suit the pitch of the roof and give a 50 mm (2") minimum clearance to combustibles.
2. The lateral chimney support required for chimney stabilization is then slipped over the chimney and nailed into the joists using 1 1/2" common or spiral nails.
3. Finish the chimney off to its proper height. Chimneys are required to extend at least 900 mm (3') above the highest point where they pass through the roof of a building and at least 600 mm (2') higher than any portion of a building within 3 m (10').
4. Place the roof flashing suitable for the roof pitch over the chimney casing and nail (1 1/2" common or spiral nails) securely to the roof, top end (nearest roof peak) UNDER shingles, lower end OVER shingles to provide a watershed.
5. Apply a 1/4" bead of suitable grey or white caulking compound just above the top of the flashing cone on the chimney casing. Slide the storm collar downward through the applied compound and into position to ensure a waterproof joint. Apply additional caulking compound above the storm collar as required.
6. If the chimney extends more than 1.8 m (6') above the roof, a roof brace kit is required. See installation instructions packaged with it.
7. Install a round top (see instructions packaged with the round top). The round top prevents entry of moisture which might lead to premature deterioration of the chimney.

8. The chimney may be painted with a heat resistant paint. To improve adhesion to Model CF chimney, degrease, dry and follow the paint manufacturer's application instructions. Refer to their Paint Warranty (if applicable).

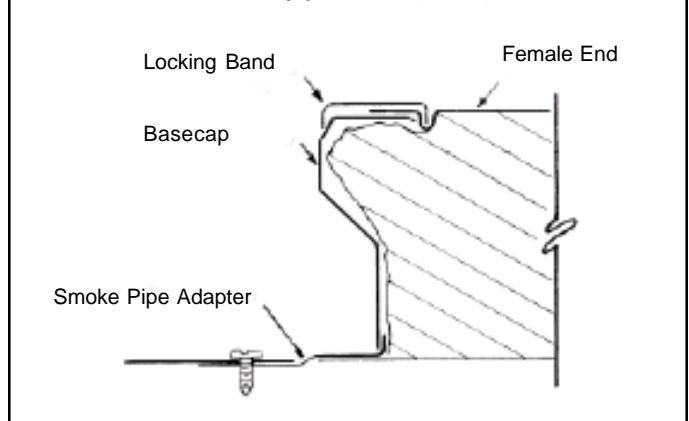
## SMOKE PIPE ADAPTER INSTALLATION:

1. Place smoke pipe adapter (with flange up) into basecap and place this assembly in the end of the chimney. Secure with the locking band. The stub end of the adapter is intended to fit inside of the smoke pipe from a solid fuel appliance, thus preventing condensate drips at the chimney connection. See Figure 8.
2. Secure the smoke pipe from the appliance to the smoke pipe adapter using 3 sheet metal screws per joint.

**Figure 7.**



**Figure 8.**  
Connection to horizontal pipe extension.



# LIMITED LIFETIME WARRANTY

## MODEL CF / Sentinel 2100 Degree Chimney



### LIMITED LIFETIME WARRANTY:

Selkirk Canada Inc., (“Selkirk”, “we”, “us”, “our”) warrants Model CF Sentinel products to be free from defects in material and workmanship for as long as the original consumer owns the system. For products installed after January 1, 2000, for a period of Ten (10) years from original installation, we will provide replacement product with a similar or like quality of available Selkirk product, **free of charge** excluding any installation costs. From the Eleventh (11) through Fifteenth (15) years we will provide replacement product to the original consumer at a cost of 75% off the published Retail Price in effect on the date the claim is received excluding any installation costs. At expiration of the Fifteen (15) year term, we will provide replacement product to the original consumer at a cost of 50% off the published Retail Price in effect on the date the claim is received excluding any installation costs.

### LIMITATIONS:

- Products must be installed for their intended purpose and in accordance with current Selkirk installation instructions.
- Products must be connected to an appliance listed with an accredited testing laboratory.

**WARNING:** FAILURE TO INSTALL SELKIRK PRODUCTS ACCORDING TO THE MANUFACTURER’S INSTRUCTIONS WILL VOID ALL APPLICABLE WARRANTIES AND MAY RESULT IN FIRE, CARBON MONOXIDE POISONING OR DEATH. SEE OUR SELKIRK INSTALLATION INSTRUCTIONS FOR COMPLETE INSTALLATION PROCEDURES.

### WARRANTY COVERAGE:

All Insulated parts are covered from damage resulting from Chimney Fires.

This warranty covers any substantial defects in material and workmanship in normal use that are found to exist in any of the insulated chimney sections or component parts of your chimney with the exception stated below.

### THIS WARRANTY DOES NOT COVER:

- (a) any non-stainless base tee unit mounted or connected to an Insulated Chimney system;
- (b) **costs (labor or otherwise \*\*) associated with either removing a previously installed product, installing a replacement product, transportation or return of a product, or transportation of replacement product;**
- (c) damage to the finish of products caused by the use of improper solvents/chemicals or improper cleaning methods;
- (d) damage resulting from failure to reasonably clean, care for or maintain products in accordance with our installation instructions/recommendations;

- (e) damage (to products, appliances or structure) based on or resulting from improper installation or repair, misuse or abuse (including, but not limited to, excessive or improper operating condition), or alteration or adjustment other than in conformity with our installation instructions and specifications, whether performed by a contractor, service company, technician, or yourself;
- (f) any products that have been moved from their original installation site.
- (g) damage caused by burning driftwood, garbage, or any other prohibitive material has been burned in the appliance served by the chimney
- (h) damage that results from accidents such as fire, flood, high winds, “acts of God”, or any other contingency beyond our control.

**\*\* Due to the wide variance in installation practices and other conditions beyond our control, we do not guarantee or in any way warrant the installation of Chimney and Venting products.**

### CLAIM PROCEDURE:

If you believe that a product is defective, notify us in writing at the following location:

**SELKIRK CANADA INC.**  
P.O. Box 526, Depot 1  
Hamilton, Ontario, CANADA, L8L 7X6  
ATTN: WARRANTY CLAIMS DEPARTMENT

Notification should include a description of the product, model and serial number (if applicable) and a description of the product defect. Upon receipt of a written claim under this limited warranty and evidence of the date of purchase or installation, at our option and in our sole discretion, we will provide replacement product with similar or like quality of available Selkirk product excluding any installation costs. Selkirk Canada Inc. reserves the right to inspect or investigate any warranty claims prior to determining whether to provide replacement product. If, as determined by Selkirk Canada Inc, repair or replacement of the product is not commercially practicable or cannot be completed in a timely manner, we may refund the purchase price paid for the product, prorated to the terms of this warranty, upon verification by providing a copy of your invoice or receipt of bill of sale.



**NOTES:**

