

Installation Instructions for

**Model SS
Chimney**
with Adjustable Roof Support

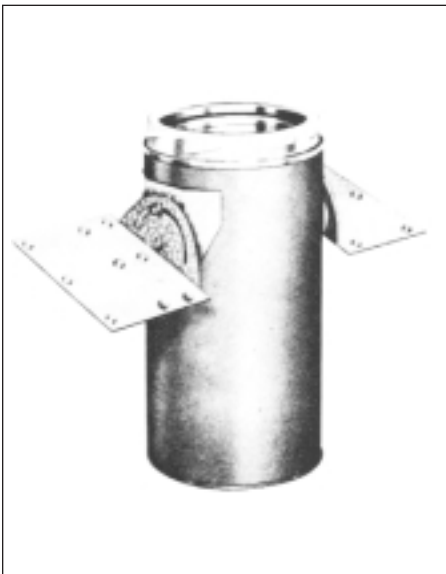
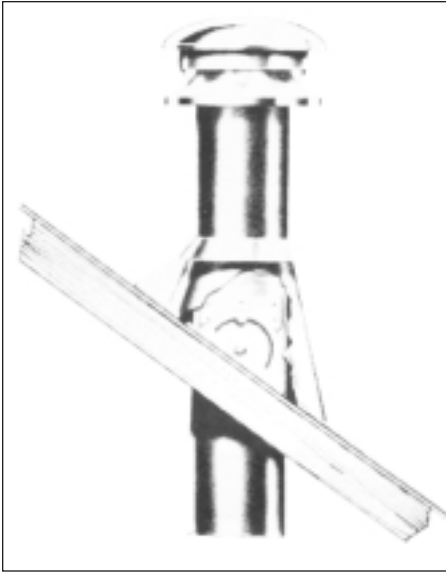
Pages 2 & 3

and

Model CF
Roof Supported Chimney

Pages 4 to 6

Model SS Chimney with adjustable roof support



the fireplace label. For use in accordance with local building codes, CAN1-B149 (Installation Code for Natural Gas Burning Appliances and Equipment) or B139 (Installation Code for Oil Burning Equipment).

LIST OF CONTENTS: The Roof Support consists of two chimney plates, two roof brackets and hardware (4 carriage bolts and nuts, 14 small sheet metal screws No. 6 - 3/8", 12 large wood screws No. 10 - 1/4").

CHIMNEY SIZING:

The correct chimney size is essential to the efficient operation of the chimney and the appliance which it serves. Before beginning installation of the chimney, be sure that the overall height of the chimney will conform to building code requirements. Chimneys are required to extend at least 900 mm (3') above the highest point where they pass through the roof of a building and at least 600 mm (2') higher than any portion of a building within 3 m (10').

INSTALLATION:

Situate the chimney in the structure so that it can be installed without cutting joists, sills, plates or major load bearing partitions or members. It is also important to locate the chimney to obtain the shortest possible connector to the heating appliance.

1. Frame a rectangular roof opening to provide a 50mm (2") minimum clearance from combustible materials (See Figure 1 and Figure 3).
2. Bend both chimney plates at vertical slots to fit outside curvature of a 30" chimney length (Figure 3).
3. Determine the chimney plate position on the chimney casing (See Figure 1).
4. Install two (2) carriage bolts per chimney plate in square holes.
5. Using the bent chimney plate as a template, drill 3/32" holes in the outer casing of the chimney. (Do not penetrate more than 12 mm (1/2") into the chimney). Attach plate with small sheet metal screws provided.
6. Install second plate in a similar manner on opposite side of chimney.
7. Attach Roof Brackets to the chimney plates and centre the assembly in the roof opening.
8. Adjust Roof Brackets to the roof pitch and tighten nuts. Attach to the roof with six (6) large wood screws per bracket with the inner-most screws going into the rafters or headers (See Figure 3).
9. Additional chimney lengths above the support are simply stacked on and locked with a 1/8 clockwise turn.
10. Locking Bands must be used on all joints.
11. Finish the chimney to its required height. If the chimney extends more than 1.5 m (5') above the roof, additional lateral support is required.

IMPORTANT:

Read the following information before installing your chimney to ensure a successful installation and retain for reference. Consult the building authority having jurisdiction before the installation, to determine the need to obtain a permit.

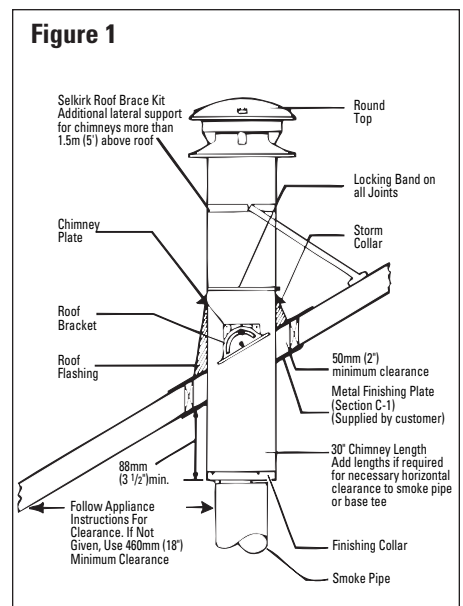
For connection to **liquid fuel or gas fired appliances** normally producing flue gases of 540° C (1000° F) or less, minimum installation clearances to combustibles, 50 mm (2") or as established by support assembly. May also be installed with listed factory-built fireplaces as specified in fireplace manufacturer's installation instructions and identified on

THE MAIN STAGES OF INSTALLATION FOR A CHIMNEY SYSTEM ARE:

- A) SUPPORTING
- B) WEATHER PROTECTION
- C) FINISHING
- D) CONNECTION

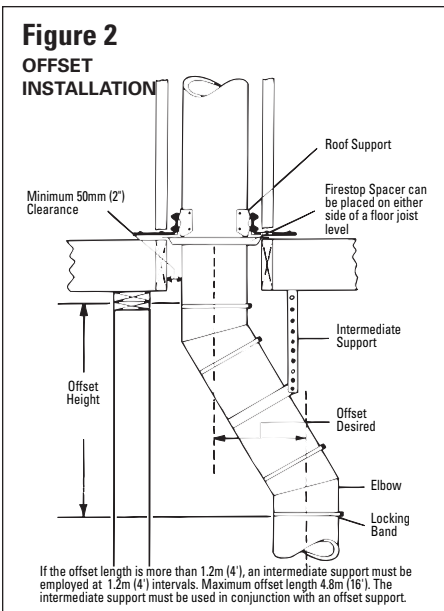
The following instructions will assist you in the installation of your Selkirk chimney with a Roof Support. This support will hold up to 9.0 m (30') of chimney of which 6.0 m (20') may be suspended beneath it.

A) SUPPORTING:



B) WEATHER PROTECTION:

1. Place the Roof Flashing suitable for the roof pitch over the chimney casing and nail securely to the roof, top end (nearest roof peak) UNDER shingles, lower end OVER shingles to provide a watershed.
2. Apply caulking compound just above the top of the flashing cone on the chimney casing. Slide the Storm Collar through the applied compound and into position to ensure a waterproof joint. Apply additional caulking compound above the Storm Collar as required.
3. Install a Round Top (see instructions on the Round Top carton). The Round Top prevents entry of moisture which might lead to premature deterioration of the chimney.

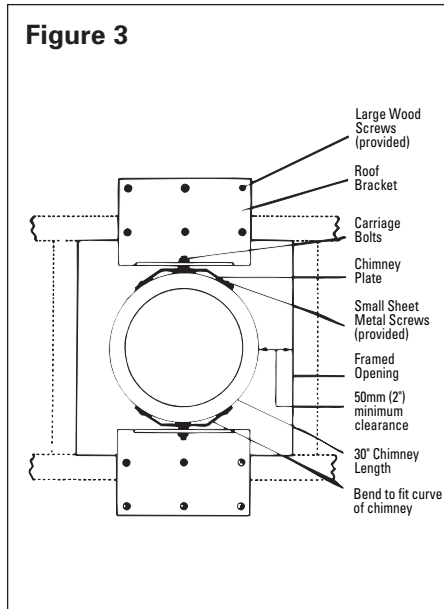


C) FINISHING:

1. A template is available to make a metal finishing plate to suit your particular ceiling pitch (Figure 1). **WARNING:** Do not place insulation materials (combustible or non-combustible) within the specified minimum clearances to combustible materials. Remember to maintain a 50 mm (2") minimum clearance to any combustible material.
2. The chimney must be enclosed when

installed in an accessible area to prevent damage and personal contact. Enclosure walls should have a fire rating equal to or greater than the floors or ceilings through which the chimney passes except in single or two family dwellings.

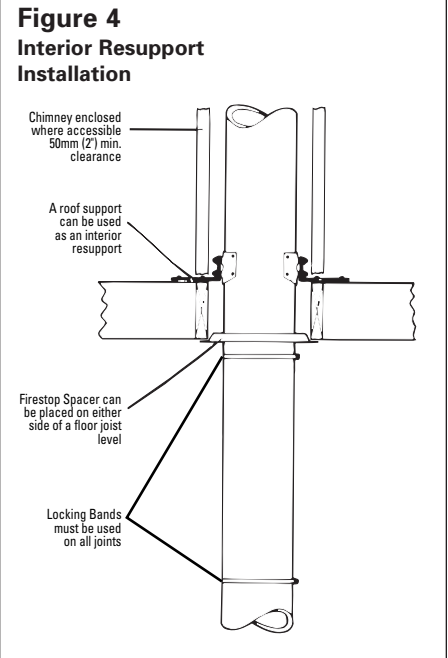
3. The chimney may be painted with a HEAT RESISTANT paint. To improve adhesion to the Model SS chimney, degrease dry and prime the casing before painting.



D) CONNECTION:

1. Connect only to low heat (liquid heat or gas fired) appliances with continuous flue gas temperatures below 540°C (1000°F).
2. Attach a Finishing Collar to the bottom of the chimney with the three (3) screws provided (See Figure 1).
3. The four (4) remaining screws are used to attach the Base Tee or Smoke Pipe System.
4. To comply with the Building Code, the Base Tee can be installed with a 229 mm (9") minimum clearance between connecting single wall pipe and combustible material providing the flue gas temperature does not exceed 400° C (750° F) (most oil fired appliances). Otherwise, the Smoke Pipe System requires 460 mm (18") minimum clearance from combustible material (Figure 1).

The National Fire Code of Canada states "Every chimney flue and flue pipe



shall be inspected and cleaned annually or as often as may be necessary to keep the chimney and flue pipe free from dangerous accumulations of combustible deposits".

The Roof Support can be used as an Offset Support or an Interior Resupport. Install the support immediately above the offset or at 9.14 m (30') intervals. (See Figures 2, 3 and 4).

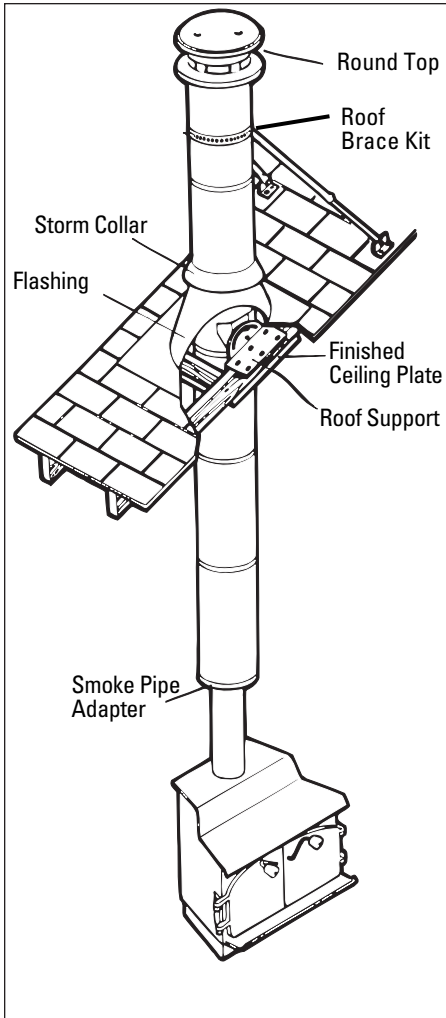
Approval of this factory-built chimney is based on the use of parts supplied by Selkirk Metalbestos and installation in accordance with these instructions.

Selkirk also manufactures Ceiling, Interior Resupport and Wall Supports and appropriate instructions are packaged with these supports.

When installing a fireplace refer to the fireplace installation instructions for the proper chimney requirements.

SELKIRK Canada, Inc.
1400 California Ave.
Brockville, Ontario K6V 5V3
Telephone 1-800-262-8178
Fax 1-800-663-3620

Model CF Roof Supported Chimney



These installation requirements are based on complete tests of the Model CF Chimney in accordance with the Standard for 650 deg. C Factory-Built Chimneys CAN4 S629-M84.

Selkirk Metalbestos chimney parts are produced under the Listing Programme of Underwriters' Laboratories of Canada. Each ULC Listed part carries the label specified in their "List of Equipment and Material".

IMPORTANT:

A Major Cause of Chimney Related Fires Is Failure To Maintain Required Clearances (Air Space) To Combustible Materials. The CF chimney requires 50 mm (2") clearance to combustible material. DO NOT place any type of insulation in this required clearance space surrounding the chimney. It is of utmost importance that this chimney be installed only in accordance with these instructions. Certification of the chimney is void if the installation instructions are not followed. Read Them First.

FUELS & APPLIANCES:

The Model CF chimney, may be used for gas, oil, wood and coal-fired residential type appliances normally producing flue gases of 650°C (1200°F) or less. The Model CF chimney is intended for use in accordance with the National Building Code of Canada, the Installation Code for Oil Burning Equipment CSA B139, Gas Burning Equipment CAN-B149.1 & CAN1-B149.2, and the Installation Code for Solid Fuel Fired Appliances CSA B365. It may be used with listed Factory Built Fireplaces as specified in the fireplace manufacturer's installation instructions and identified on the fireplace label and with Masonry fireplaces.

REMEMBER; AN ADEQUATE AMOUNT OF AIR MUST BE SUPPLIED TO THE APPLIANCE TO ENSURE PROPER OPERATION.

CHOOSING YOUR HEATING APPLIANCE:

There are three important rules for selecting a woodburning stove, fireplace or heater.

FIRST: Look for a label or nameplate attached to the appliance which bears the mark or name of a well known safety testing organization* or laboratory.

SECOND: Don't buy a solid fuel heating appliance which is bigger than necessary.

THIRD: Look or ask for complete installation, operating and maintenance instructions for the appliance. If you can't get these, buy one that gives you all these very important details.

**Such as Underwriters' Laboratories of Canada or Warnock Hersey Professional Services Limited.*

CHIMNEY SIZING:

The correct chimney size is essential to the efficient operation of the chimney and the appliance which it serves. Consult the appliance manufacturer's installation instructions or your dealer for proper chimney diameter size.

WHEN INSTALLING YOUR CHIMNEY AND WOODBURNING STOVE OR FIREPLACE SYSTEM, REMEMBER... SAFETY FIRST.

You may well have a basic knowledge of

carpentry and the use of hand tools. However, it is important that you also review the rules of safety on the following pages. If you have any doubt about your ability to complete your installation in a workmanlike manner, you should arrange for a professional installation.

RULES FOR SAFETY DURING INSTALLATION:

1. Read all installation sheets. Look for them in the cartons, or ask your dealer for a complete set. Keep the instructions handy and save them for future reference.

2. Check your local building, installation and fire codes for all requirements affecting the fuel-burning appliance and its chimney. Such as:

- CSA-B365 Installation Code for Solid Fuel Burning Appliances and Equipment.
- CSA-B139 Installation Code for Oil Burning Equipment.
- CAN1-B149 Installation Codes for Gas Burning Appliances and Equipment.
- National Building Code of Canada
- Provincial Building Codes

3. Obtain a building permit for both the appliance and the chimney. Contact local building or fire officials about restrictions and installation inspection in your area. **IMPORTANT:** An improperly installed heating system can void your fire insurance.

4. Be very careful around electrical wiring and be sure it is secured at least 2 inches away from any part of the chimney. If wiring must be relocated, hire a professional electrician.

5. Be sure that ladders are in good condition and always rest on a level firm surface.

6. Wear gloves when handling sheet metal parts with sharp edges.

7. Be sure that electrically powered tools are properly grounded.

GENERAL INSTALLATION RULES:

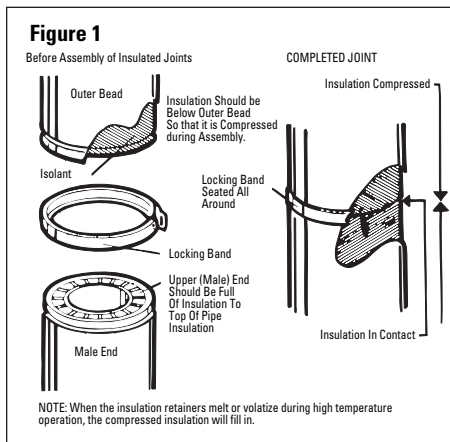
1. Situate the chimney in the structure so that it can be installed without cutting joists, sills, plates or load bearing partitions or members.

2. Each wood or coal appliance should have its own chimney. **DON'T INTERCONNECT.**

3. There should be no draft regulators on solid fuel equipment and smoke pipes and cleanout caps should be tight.

4. A minimum smoke pipe length of 1 m (3 ft.) between appliance and chimney is recommended.

5. Flue gas temperature should not normally exceed 650°C (1200°F). If in doubt install a flue gas thermometer.



CF JOINT SECURITY:

High internal gas temperatures in a chimney force the internal pipe to expand or lengthen. This, along with a chimney cleaning brush, may cause the joints to separate if they are not securely locked.

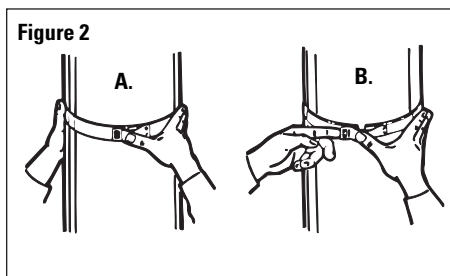
WARNING:

- The chimney pipe and fittings must be assembled only with the locking bands as furnished.
- Support all offsets with an offset support and adequate strapping.
- Attach smoke pipe parts securely to each other, and to the appliance using three sheet metal screws per joint.

1. The clasp lockbands are simply seated in the beads of the joints and clipped together. Figure 1 & 2A.

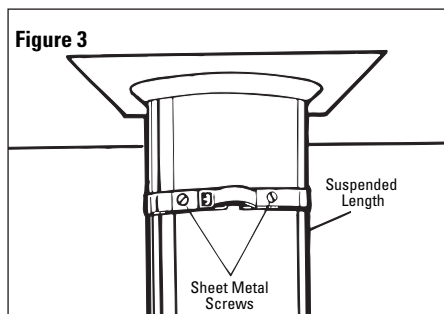
2. To remove the lockband, the clasp is pushed in and then unhooked. Figure 2B (Lift the clasp with a screwdriver if necessary).

3. When a chimney section is suspended e.g.: below a ceiling support then the band and the joints should be fastened using two (2) #6 x 1/2" sheet metal screws. (Drill 3/32 holes). Figures 3.



CHIMNEY OPERATION AND MAINTENANCE:

All chimneys should be inspected at least once a year to determine that their physical integrity is being maintained. The need for chimney maintenance also depends on the kind of appliance and how it is operated. Wood and coal-burning appliances may need a great deal of chimney maintenance. Open front fireplaces without doors usually dilute their smoke with large amounts of air. Thus the buildup of chimney deposits is generally very low. "Air tight" or controlled draft wood stoves and heaters produce dense smoke if they are loaded for long duration or overnight fires, and can rapidly produce heavy, thick creosote deposits. It is possible, by having a short duration daily hot fire, to burn off these deposits or prevent them from building up to dangerous levels. This takes skillful operation and an appreciation of how to get the correct temperature.



CREOSOTE AND SOOT FORMATION AND NEED FOR REMOVAL:

When wood is burned slowly, it produces tar and other organic vapors, which combine with expelled moisture to form creosote. The creosote vapors condense in the relatively cool chimney flue of a slow-burning fire. As a result, creosote residue accumulates on the flue lining. When ignited, this creosote makes an extremely hot fire.

With coal, which can burn with a smoky fire, this smoke also condenses in the chimney to form soot.

The chimney should be inspected at least once every 2 weeks during the heating season to determine if a creosote or soot buildup has occurred.

If creosote or soot has accumulated, it should be removed to reduce the risk of chimney fire.

If you see deposits more than 1/16 inch thick, clean all of the chimney parts mechanically. This means using brushes, scraping or equivalent. Don't start a chimney fire! With only slight deposits, try a hot fire to see if the

black deposits change to light ash, or fall down the chimney. You can hear the sound of falling deposits when temperature conditions are right. After wards reinspect the chimney and the inside of the appliance for deposits. Do not use chemical cleaners, they may corrode the inside of the chimney. They may or may not prevent or remove creosote. When they are used together with a hot fire, it is probably the fire that is doing the work.

Depending on the rate of buildup, as you learn what is going on in the chimney, you can adjust your cleaning schedule.

If you have any doubts about your ability to clean the chimney, or if the deposits are very heavy and hard to remove, call a professional chimney sweep. Do not try to burn them off.

It doesn't matter how careful you are with loading, fuel wood selection or draft control, you should observe the above precautions with any wood stove or chimney installation.

CHIMNEY FIRES AND WHAT TO DO ABOUT THEM

Your Selkirk Metalbestos Model CF Chimney is not intended or designed for use as a combustion or fire chamber. It is very easy to overfire your woodburning appliance with kindling, scrap lumber, brush or any fast burning fuel. This can produce flames and high temperatures all the way up the chimney, and may cause chimney damage.

If you see your appliance or the smoke pipe glowing red, you are risking chimney damage, or a fire. The creosote may be burning inside the chimney. If you see flames coming out of the top, you are either overfiring or there is a chimney fire.

If the fire in your heater has gotten out of control, or if you suspect a chimney fire for any reason, follow these steps:

- Immediately close all dampers and/or air entrance openings to your appliance. This includes doors on all types of stoves. Block off fireplace openings.
- Alert your family to the possible danger.
- Inspect your appliance and chimney surroundings for possible fire. If in doubt, alert your fire department.
- Do not continue to use your appliance until it and your chimney have been thoroughly inspected. Overheating can cause metal parts to expand, buckle and crack. If you are not certain, have a qualified heating man disassemble all parts so they can be inspected and replaced.

5. Do not use salt or water on the fire in your appliance. Salt is corrosive and water will cause a dangerous steam explosion. You might be able to control the fire by using ashes, sand or baking soda, since baking soda is an ingredient used for dry chemical fire extinguishers.

6. After a chimney fire, when it is safe to do so, check internal locations such as the attic and

under the roof and keep watching for two or three hours. There may be delayed smoldering and subsequent ignition, even if the fire inside the chimney has been controlled.

mm (1-1/2") into the chimney). Attach plate with small sheet metal screws provided.

6. Install second plate in similar manner on opposite side of the chimney.

7. Attach roof brackets to the chimney plates and center the assembly in the roof opening.

8. Adjust roof brackets to the roof pitch and tighten nuts. Attach to the roof with six (6) large wood screws per bracket with the inner-most screws going into the rafters or headers (Figure 4).

9. Additional chimney lengths above the support are simply stacked on and locked using a locking band.

10. Finish the chimney off to its proper height. Chimneys are required to extend at least 900 mm (3') above the highest point where they pass through the roof of a building and at least 600 mm (2') higher than any portion of a building within 3 m (10').

11. Place the roof flashing suitable for the roof pitch over the chimney casing and nail securely to the roof, top end (nearest roof peak) UNDER shingles, lower end OVER shingles to provide a watershed.

12. Apply a 1/4" bead of suitable grey or white caulking compound just above the top of the flashing cone on the chimney casing. Slide the storm collar downward through the applied compound and into position to ensure a waterproof joint. Apply additional caulking compound above the storm collar as required.

13. The chimney, thus supported, requires another point of stabilization. For any pitched roof, a roof brace kit is required. Follow instructions packaged with it or the round top.

14. Install a round top (see instructions on the round top carton). The round top prevents entry of moisture which might lead to premature deterioration of the chimney.

the lower end of the chimney. Secure with the locking band. The stub end of the adapter is intended to fit inside of the smoke pipe from a solid fuel appliance, thus preventing condensate drips at the chimney connection. Fig. 5.

4. Secure the smoke pipe from the appliance to the smoke pipe adapter using 3 sheet metal screws.

5. Finish the connection from the chimney to the stove using smoke pipe. Secure together and to the appliance using 3 sheet metal screws per joint.

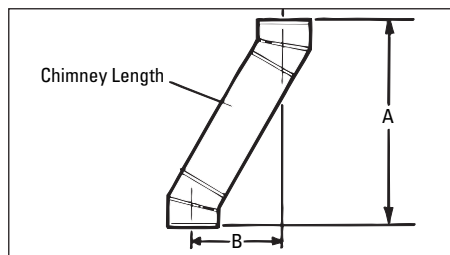
6. The chimney may be painted with a heat resistant paint. To improve adhesion to the Model CF chimney, degrease, dry and follow the paint manufacturer's application instructions. Refer to their paint warranty (if applicable).

Model CF Chimney	6"	7"	8"
Inside Diameter	6"	7"	8"
Outside Diameter	267mm (10-1/2")	299mm (11-3/4")	330mm (13")
Enclosure Framing (Square)	369mm (14-1/2")	400mm (15-3/4")	432mm (17")
Ceiling Support Framing (Square)	362mm (14-1/4")	362mm (14-1/4")	362mm (14-1/4")
Approx. weight kg/m (lbs.ft.)	11.5 (8)	13.5 (9)	15.5 (10.5)
Maximum Height for all supporting methods	12 m (40')		
Ceiling Support Package	12 m (40')		
Interior Resupport Assembly Offset Support	9 m (30')		
Wall Brace Kit	7.9 m (26')		
Wall Support Package	12 m (40')		
Insulated Tee	12 m (40')		
Roof Support	9 m (30')		
Minimum Clearance to combustibles 50 mm (2") all sizes.			

Note: 6 m (20') of chimney may be suspended below any Support (other than a wall support) using locking band and screws at each point.

CHIMNEY OFFSETS:

One pair of 30 degree elbows can be used to provide a sloped offset of 30 degrees. The maximum permissible angle with solid fuel installation is 30 degrees. An offset data table is supplied to determine the offset desired and the offset height.



Elbow Length	6" Dia.		7" Dia.		8" Dia.	
	A	B	A	B	A	B
2x30° 9'	495mm (19 1/2")	187mm (7 3/8")	537mm (21 1/8")	203mm (8")	543mm (21 3/8")	200mm (7 7/8")
2x30° 12'	559mm (22")	225mm (8 7/8")	600mm (23 5/8")	235mm (9 1/4")	606mm (23 7/8")	238mm (9 3/8")
2x30° 18'	695mm (27 3/8")	302mm (11 7/8")	737mm (29")	311mm (12 1/4")	743mm (29 1/4")	314mm (12 3/8")
2x30° 36'	1089mm (42 7/8")	530mm (20 7/8")	1130mm (44 1/2")	540mm (21 1/4")	1137mm (44 3/4")	543mm (21 3/8")

ROOF SUPPORT INSTALLATION:

NOTE: Roof support can hold 9 m (30') of chimney 6 m (20') of which can be suspended.

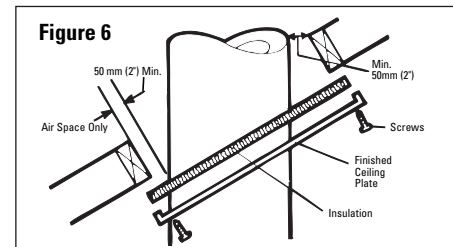
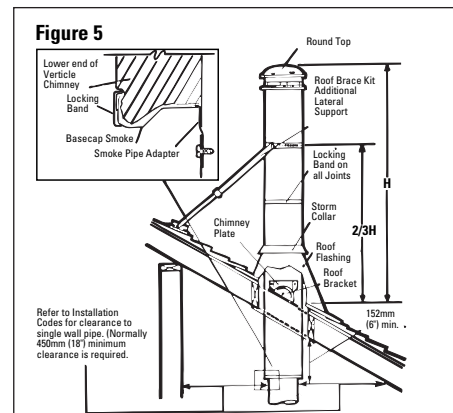
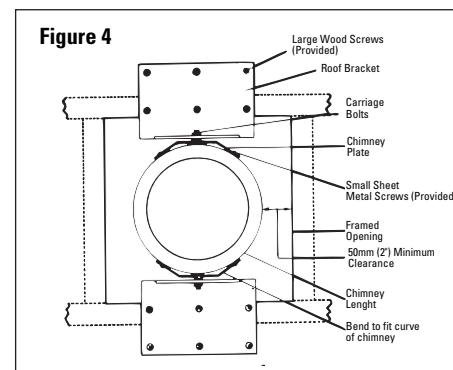
1. Frame a rectangular roof opening to provide a 50 mm (2") minimum clearance from combustible materials. Figure 4.

2. Bend both chimney plates at vertical slots to fit the outside curvature of the chimney.

3. Determine the chimney plate position on the chimney casing.

4. Install two (2) carriage bolts per chimney plate in square holes.

5. Using the bent chimney plate as a template, drill 3/32" holes, in the outer casing of the chimney. (Do not penetrate more than 12



FINISHED CEILING PLATE INSTALLATION:

1. Using the template provided, cut a hole in the finishing plate corresponding to your pitch of ceiling.

2. Using the finishing plate as a template, cut out the insulation and fit the finishing plate to the installation.

3. Screw the plate into position (Fig. 6).

COMPLETING THE INSTALLATION:

1. Hang chimney lengths from the roof supported length. Make sure they are locked into position using a lock band and sheet metal screws.

2. When the chimney is between 1 m (3') to 1.8 m (6') from your stove, install a smoke pipe adapter.

3. Place smoke pipe adapter (with flange up) into basecap and place this assembly in

Selkirk Canada, Inc.
1400 California Ave.
Brockville, Ontario K6V 5V3
Tel 1-800-267-8178
Fax 1-800-663-3620



LIMITED LIFETIME WARRANTY

Selkirk Metalbestos Chimney & Venting Products



LIMITED LIFETIME WARRANTY:

Selkirk Canada Inc., ("Selkirk", "we", "us", "our") warrants Selkirk products* to be free from defects in material and workmanship for as long as the original consumer owns the system.

For products installed after January 1, 2000, for a period of Ten (10) years from original installation, we will provide replacement product with a similar or like quality of available Selkirk product, **free of charge** excluding any installation costs. From the Eleventh (11) through Fifteenth (15) years we will provide replacement product to the original consumer at a cost of 75% off the published Retail Price in effect on the date the claim is received excluding any installation costs. At expiration of the Fifteen (15) year term, we will provide replacement product to the original consumer at a cost of 50% off the published Retail Price in effect on the date the claim is received excluding any installation costs.

* additional coverage applies to Model CF Chimney

LIMITATIONS:

- Products must be installed for their intended purpose and in accordance with current Selkirk installation instructions.
- Products must be connected to an appliance listed with an accredited testing laboratory.

WARNING: FAILURE TO INSTALL SELKIRK PRODUCTS ACCORDING TO THE MANUFACTURER'S INSTRUCTIONS WILL VOID ALL APPLICABLE WARRANTIES AND MAY RESULT IN FIRE, CARBON MONOXIDE POISONING OR DEATH. SEE OUR SELKIRK INSTALLATION INSTRUCTIONS FOR COMPLETE INSTALLATION PROCEDURES.

WARRANTY COVERAGE:

This warranty covers any substantial defects in material and workmanship in normal use that are found to exist in any of the insulated chimney sections or component parts of your chimney with the exception stated below.

THIS WARRANTY DOES NOT COVER:

- (a) any non-stainless base tee unit mounted or connected to an Insulated Chimney system;
- (b) **costs (labor or otherwise **) associated with either removing a previously installed product, installing a replacement product, transportation or return of a product, or transportation of replacement product;**
- (c) damage to the finish of products caused by the use of improper solvents/chemicals or improper cleaning methods;
- (d) damage resulting from failure to reasonably clean, care for or maintain products in accordance with our installation instructions/recommendations;

- (e) damage (to products, appliances or structure) based on or resulting from improper installation or repair, misuse or abuse (including, but not limited to, excessive or improper operating condition), or alteration or adjustment other than in conformity with our installation instructions and specifications, whether performed by a contractor, service company, technician, or yourself;
- (f) any products that have been moved from their original installation site.
- (g) damage caused by burning driftwood, garbage, or any other prohibitive material has been burned in the appliance served by the chimney
- (h) damage that results from accidents such as fire, flood, high winds, "acts of God", or any other contingency beyond our control.

**** Due to the wide variance in installation practices and other conditions beyond our control, we do not guarantee or in any way warrant the installation of Chimney and Venting products.**

CLAIM PROCEDURE:

If you believe that a product is defective, notify us in writing at the following location:

SELKIRK CANADA INC.
1400 California Avenue
Brockville, Ontario, CANADA, K6V 5V3
ATTN: WARRANTY CLAIMS DEPARTMENT

Notification should include a description of the product, model and serial number (if applicable) and a description of the product defect. Upon receipt of a written claim under this limited warranty and evidence of the date of purchase or installation, at our option and in our sole discretion, we will provide replacement product with similar or like quality of available Selkirk product excluding any installation costs. Selkirk Canada Inc. reserves the right to inspect or investigate any warranty claims prior to determining whether to provide replacement product. If, as determined by Selkirk Canada Inc, repair or replacement of the product is not commercially practicable or cannot be completed in a timely manner, we may refund the purchase price paid for the product, prorated to the terms of this warranty, upon verification by providing a copy of your invoice or receipt of bill of sale.