



No Utility Bills Inc.

www.noutilitybills.com

Tel: (780)675-3409 / (780)628-4835

#301 Lyall Subdivision, County of Athabasca, AB, Canada

VIEWINGS BY APPOINTMENT ONLY!



Harman Trident SF Series Wood & Coal Boilers

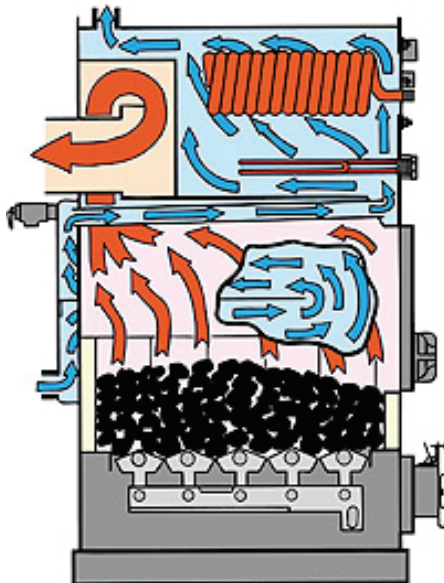
The Trident Boiler is designed to burn pea, stove or nut coal, or wood.

Call us for current sales prices * Prices subject to change without notice!



Features:

- Exclusive Harman Spiral Chamber
- Harman Grate System
- Automatic Draft Control
- 1" Schedule 80 Water Pipes
- Dual Function Aquastat
- Overfire Draft Controls - provide secondary air to burn coal gases
- Unique Water Flow Pattern For Maximum Heat Transfer



Model	SF-160	SF-260	SF-360
List Price			
Sale Price			
Fuel	Wood, Coal	Wood, Coal	Wood, Coal
BTU Range	90,000	130,000	180,000
Heating Capacity	2,250	3,200	4,000
Flue Size	6 inches	7 inches	7 inches
Weight	640 lbs	780 lbs	925 lbs
Depth	23.5 inches	27.5 inches	31.5 inches
Log Length	19 inches	23 inches	27 inches
Height	46 inches	47 inches	53 inches
Width	23 inches	26 inches	26 inches
Water Capacity	25 gallons	32 gallons	42 gallons
Domestic Hot Water Coil	Optional	Optional	Optional
Number Of Grates	4	5	6
Ash Pan	Standard	Standard	Standard
Firebox Reducer	Optional	Optional	Optional
Height Top Of Flue	38.5 inches	40 inches	45.5 inches
Automatic Draft	Standard	Standard	Standard
Electric Backup	Optional	Optional	Optional
ASME Pressure Relief Valve	Standard	Standard	Standard
Temperature & Pressure Gauge	Standard	Standard	Standard
Overheat Safety Aquastat	Standard	Standard	Standard
Hydro Pressure Tested	Yes	Yes	Yes
Inlet & Outlet Size	1-1/4 in	1-1/4 in	1-1/4 in
Rear	24 inches	24 inches	24 inches
Side	18 inches	18 inches	18 inches
Front	36 inches	36 inches	36 inches
Clearance To Flue Pipe	18 inches	18 inches	18 inches



No Utility Bills Inc.

www.noutilitybills.com

Tel: (780)675-3409 / (780)628-4835

#301 Lyall Subdivision, County of Athabasca, AB, Canada
VIEWINGS BY APPOINTMENT ONLY!

List Price From	
Sale Price From	
* Prices subject to change without notice!	

HydroFlex60 Pellet Boiler

Green heating at it's best, the HydroFlex60 provides up to 60,000 BTUs to your primary central heating system. Whether you currently have a hot air or a hot water system, the HydroFlex60 will save on heating costs. With it's proven pellet burning system, triple pass heat exchanger and wireless thermostat, the HydroFlex60 will provide a warm, comfortable feeling in your home and wallet.



Specifications	
BTU Range	0 to 60,000
Heating Capacity	* 2,000+ sq. ft.
Weight	525 lbs
Hopper Capacity	160 lbs
Flue Size	3" pellet vent pipe
Outside Air Size	2.375"
Efficiency	90%+

Responsible Heat

Pellet heat is carbon neutral. This means that switching from oil or gas to renewable fuels reduces the home's carbon footprint and makes a positive impact on our atmosphere. The high-efficiency HydroFlex is an excellent source of environmentally responsible heat.

Features Include:

- * Patented Pellet Pro Feeder & Burn Pot
- * 120 VAC * 90% + Efficiency * Small Footprint
- * Faster ignition & recovery for quick response to heat needs.
- * 14 spiral baffled stainless heat exchanger tubes increase efficiency.
- * Electronic Temperature Control * Outside Air Temperature Sensor
- * Front door with window for easy ash removal, burn pot access and fire viewing.
 - * Dual boiler water temperature and pressure gauge
 - * Pressure Relief Valve * Refractory-lined firebox
 - * Fiberglass insulation surrounding the entire unit
 - * 3 inch pellet exhaust * 3/4 inch water lines



No Utility Bills Inc.

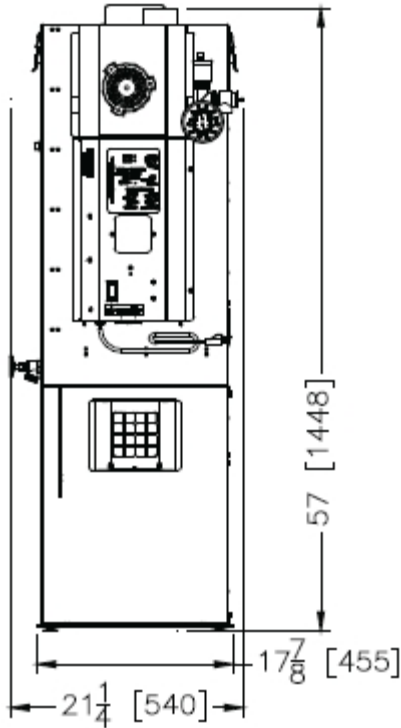
www.noutilitybills.com

Tel: (780)675-3409 / (780)628-4835

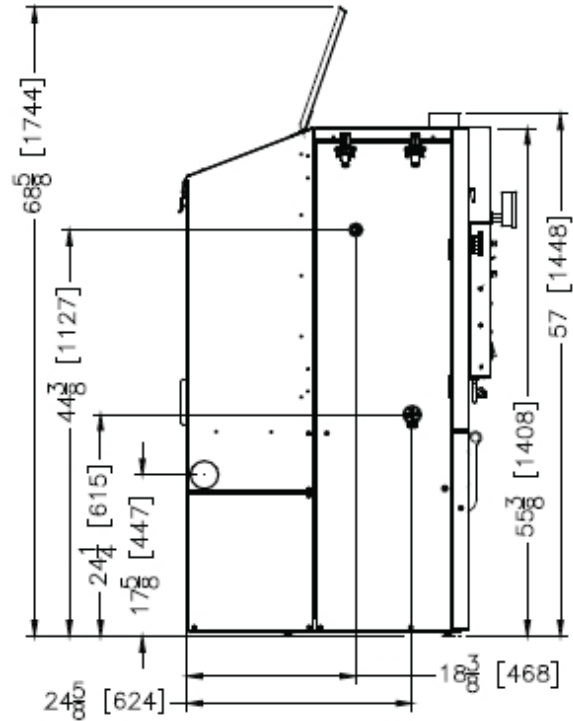
#301 Lyall Subdivision, County of Athabasca, AB, Canada

VIEWINGS BY APPOINTMENT ONLY!

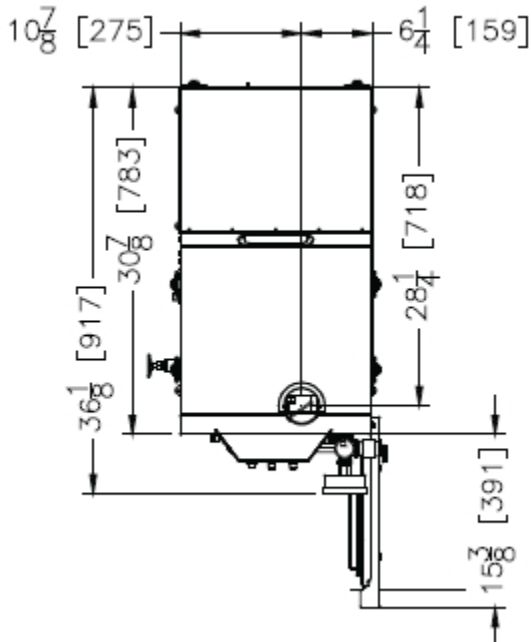
HydroFlex60 Pellet Boiler



Front View



Side View



Top View

Clearances	
Rear	6"
Side	6"
Front	48 inches

Options Available:

- * Wireless Thermostat
- * Direct Vent Wall Pass-through
- * Bulk Hopper (1400+ lb hopper capacity)
- * Outside Air * Battery Back Up



No Utility Bills Inc.

www.noutilitybills.com

Tel: (780)675-3409 / (780)628-4835

#301 Lyall Subdivision, County of Athabasca, AB, Canada

VIEWINGS BY APPOINTMENT ONLY!

List Price From	
Sale Price From	
* Prices subject to change without notice!	

Harman PB-105 Pellet Boiler

The PB105 Pellet Boiler has automatic ignition, automatic temperature control, and Harman's patented pellet pro feeder and burn pot.

Designed for easy access to the burn pot, the entire hopper component swings open for performing maintenance and cleaning.

The PB105 packs 0 to 105,000 BTU and has a 205 lb. hopper capacity and an extra large ash pan.



Specifications	
BTU Range	0 to 113,900
Heating Capacity	2,500+ sq. ft.
Weight	900 lbs
Hopper Capacity	205 lbs
Flue Size	4" pellet vent pipe
Outside Air Size	2.75"
Fuse Rating	6 amp

Responsible Heat

Pellet heat is carbon neutral. This means that switching from oil or gas to renewable fuels reduces the home's carbon footprint and makes a positive impact on our atmosphere. The high-efficiency PB-105 is an excellent source of environmentally responsible heat.

Features Include:

- 3 Pass Heat Exchanger Design maintains maximum efficiency (85% efficiency)
- Insulated Water Jacket
- Electronic Temperature Control
- Swing Open Access to burn pot/firebox
- 120 VAC
- Front door with window for easy burn pot access and fire viewing



No Utility Bills Inc.

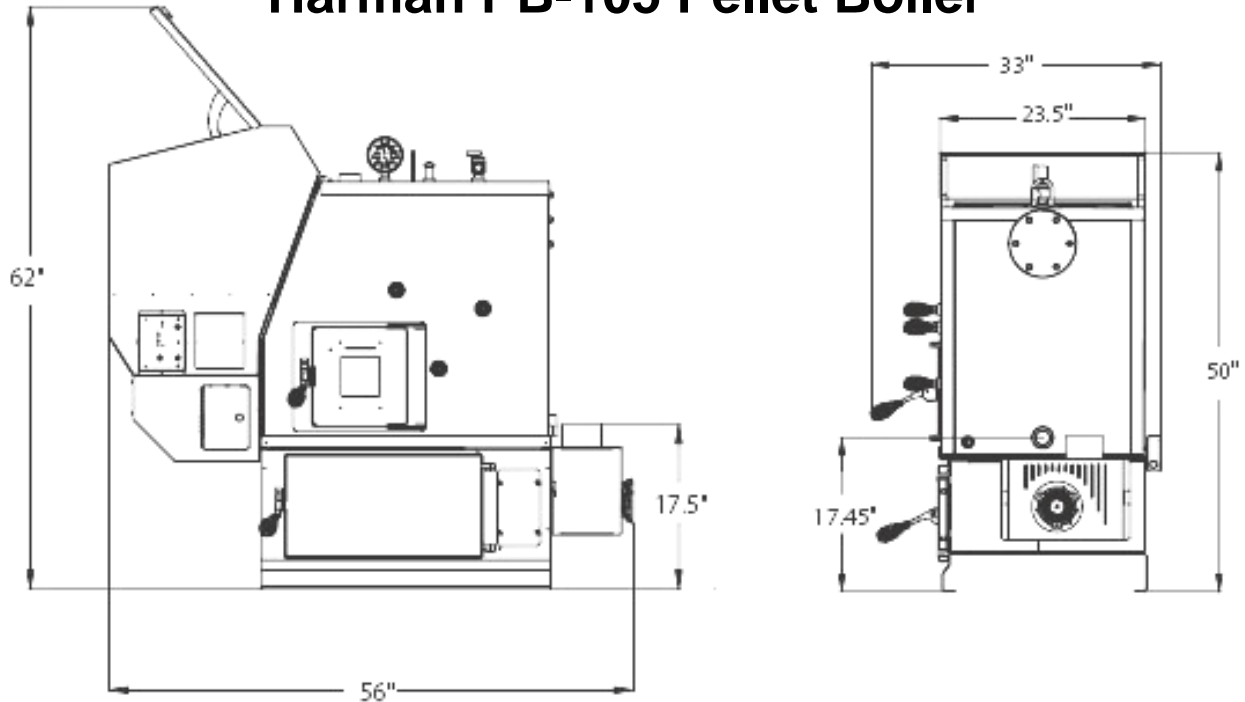
www.noutilitybills.com

Tel: (780)675-3409 / (780)628-4835

#301 Lyall Subdivision, County of Athabasca, AB, Canada

VIEWINGS BY APPOINTMENT ONLY!

Harman PB-105 Pellet Boiler



Clearances and Dimensions

Rear	6" (16.5" recommended for access)
Side	18" (Left) 20" (Right)
Front	36 inches

Included Accessories:

- Water Temperature Sensor
- Outside Air Temperature Sensor
- Dual Boiler Water Temperature and Pressure Gauge
- Well for Water Sensor
- Pressure Relief Valve
- Boiler Water Drain Valve

Options Available:

- Domestic Hot Water Coil



No Utility Bills Inc.

www.noutilitybills.com

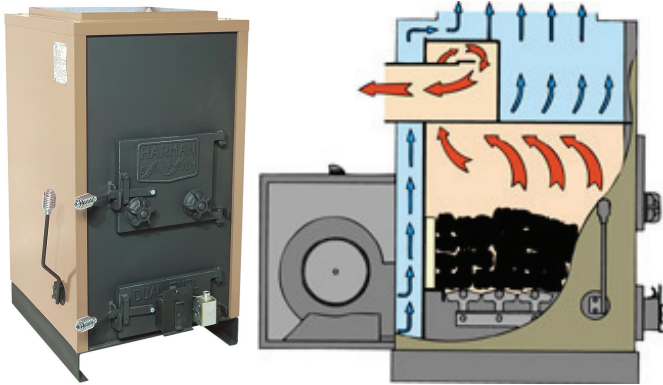
Tel: (780)675-3409 / (780)628-4835

#301 Lyall Subdivision, County of Athabasca, AB, Canada

VIEWINGS BY APPOINTMENT ONLY!

Harman Trident SF Series Wood, Coal & Oil Furnaces

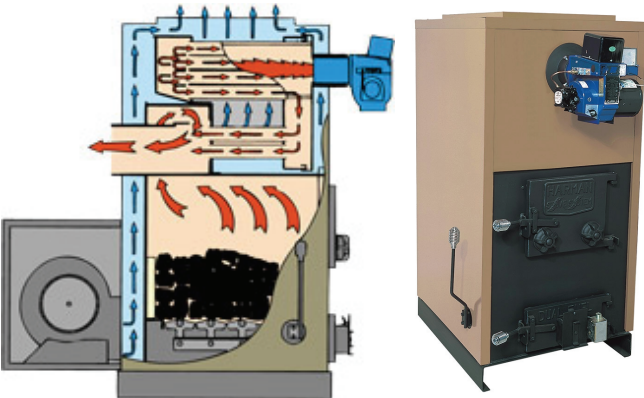
Harman Hot-air Furnaces have three internal systems that help maintain a clean, consistent and comfortable temperature throughout your entire home: a complete automatic blower system, an automatic draft system with high limit control and a filter system to ensure clean air. Harman's sophisticated draft control system knows when to cause the fire to burn hotter and supply just the right amount of heat.



SF-1500-A, SF-2500, SF-3500-A
Wood, Coal Hot Air Furnaces

Features:

- Exclusive Harman Spiral Chamber
- Harman Grate System
- Automatic Draft Control
- Secondary Air Flow
- Heavy Duty Blower
- Reversible Filter Box With 14" x 20"



SF-2600-SS multi-fuel furnace with an 85% efficient oil burner system. The oil burner fires into a separate combustion chamber, so the oil nozzle will never clog from the soot from wood or coal fires.

Two separate thermostats – one for wood or coal and one for oil – let you set your furnace to burn oil as a backup in case your fire burns out. Or you can set it to burn oil as the primary fuel. It's that easy.

Call us for current Sale Prices * Prices subject to change without notice!

Model SF-	1500-A	2500-A	3500-A	2600-SS
List Price				
Sale Price				
Fuel	Wood, Coal	Wood, Coal	Wood, Coal	Wood, Coal, Oil
BTU Range	90,000	120,000	170,000	120,000
Heating Capacity	2,200	3,200	4,000	3,200
Blower Size	1,000 cfm	1,000 cfm	1,450 cfm	1,450 cfm
Flue Size	6"	7"	7"	7"
Weight	580 lbs	700 lbs	800 lbs	900 lbs
Depth	27-1/2"	31"	36"	31"
Log Length	18"	22"	27"	22"
Height	46.5"	47.5"	52"	57"
Width	25.5"	26"	28"	28"
Domestic Hot Water Coil	Optional	Optional	Optional	Optional
Number Of Grates	4	5	6	5
Ash Pan	Standard	Standard	Standard	Standard
Firebox Reducer	Optional	Optional	Optional	Optional
Height Top Of Flue	40"	41.5"	45"	40.5"
Automatic Draft	Standard	Standard	Standard	Standard
Plenum Size	20" x 20"	20" x 20"	20" x 25"	20" x 25"
Filter Box And Filter	Standard	Standard	Standard	Standard
Blower Speeds	3	3	1	1
Fan Control & High Limit	Standard	Standard	Standard	Standard
Thermostat	Standard	Standard	Standard	Standard
Depth Without Filter Box	27.5"	31"	36"	31"
Depth With Filter Box	44.5"	48"	53"	48"
Rear	30"	30"	30"	30"
Side	24"	24"	24"	24"
Front	36"	36"	36"	36"
Clearance To Flue Pipe	18"	18"	18"	18"



No Utility Bills Inc.

www.noutilitybills.com

Tel: (780)675-3409 / (780)628-4835

#301 Lyall Subdivision, County of Athabasca, AB, Canada

VIEWINGS BY APPOINTMENT ONLY!

List Price From	
Sale Price From	
* Prices subject to change without notice!	

Harman PF-100 Pellet Furnace



PF100 Pellet Furnace operating automatically to give you warm, comfortable temperatures throughout your home. Set the temperature dial on the wall mounted control to the desired setting. The PF100 will do the rest. If heat is required, the fire will automatically light and burn at the proper rate to produce just the right amount of heat. If heating demand is reduced, the PF100 will reduce the fire. If no heat is required, the fire will go out and light again when more heat is needed. When the fuel in the hopper gets low the red light on the wall control will blink, telling you to add fuel to the hopper.

Specifications	
Fuel	Bio-Mass Pellets
BTU Range	0 to 112,000
Heating Capacity	2,500 Square Feet
Hopper Capacity	160 lbs
Blower Size	1000 cfm
Flue Size	4" Pellet Vent Pipe
Outside Air Size	2.75 inches
Fuse Rating	10 amp
Weight	450 lbs
Depth	62.44 inches
Height	49.65 inches
Width	26 inches
Feed Rate	1 to 13 lbs per hour
Venting Type	Direct Vent
Testing	CAN/CSA B366.10-M91, UL 391, ASTM E 1509-95, ULC C1482-M1990

With the patented Harman feeder and burn pot, even high ash pellets can be burned efficiently.

The PF100 can be installed as a stand-alone hot air heating system or incorporated into existing hot air systems. A chimney is not required for venting. This direct vent system can also use outside air for combustion.

Dual heat exchangers are used to extract maximum heat from the fuel, which will save you money.

The PF100's huge ash pan allows two to three tons of pellets to be burned before emptying. The combustion blower design eliminates the need for a chimney and can be easily removed for annual cleaning. A shaker handle is used to clean the heat exchanger tubes. This is easy to do and is normally done when hopper is filled. The wall mounted temperature control allows you to set your desired temperature. The PF100 will do the rest.



No Utility Bills Inc.

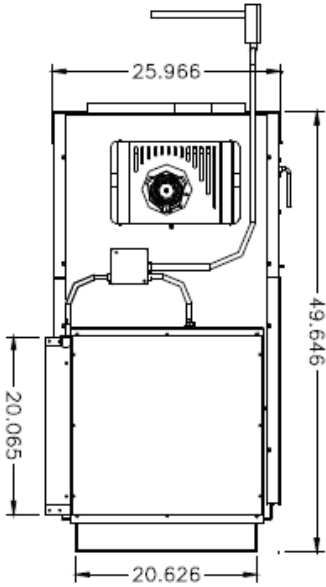
www.noutilitybills.com

Tel: (780)675-3409 / (780)628-4835

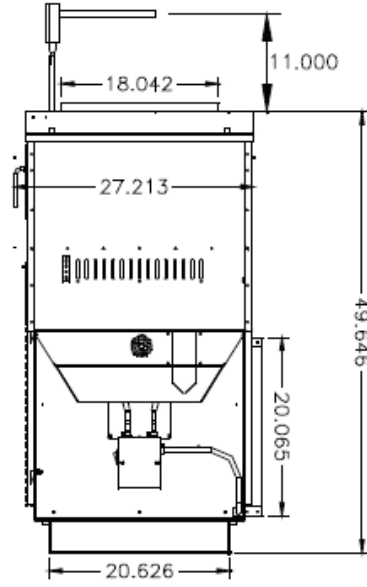
#301 Lyall Subdivision, County of Athabasca, AB, Canada

VIEWINGS BY APPOINTMENT ONLY!

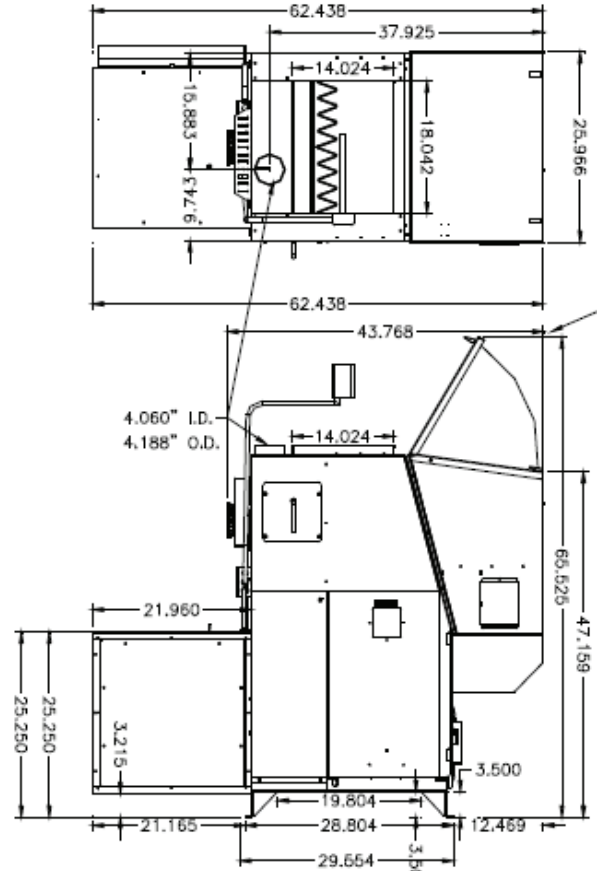
Harman PF-100 Pellet Furnace



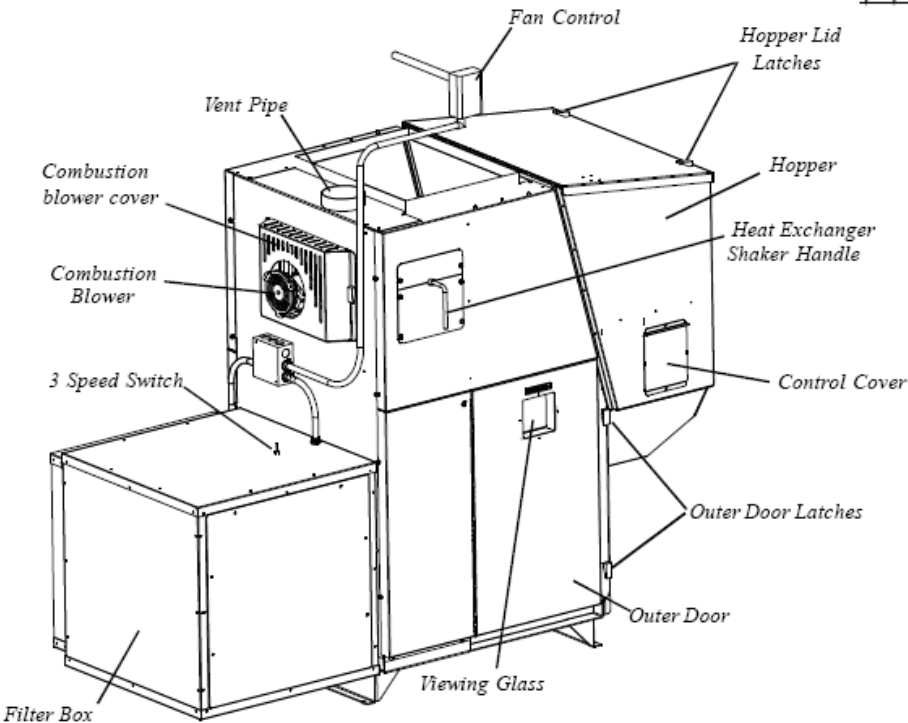
Back View



Front View



Side / Top View



Clearances	
Rear	1 inch
Side	12 inches
Front	1 inch