

EXCEL

The most durable, easiest to install residential chimney system you can buy

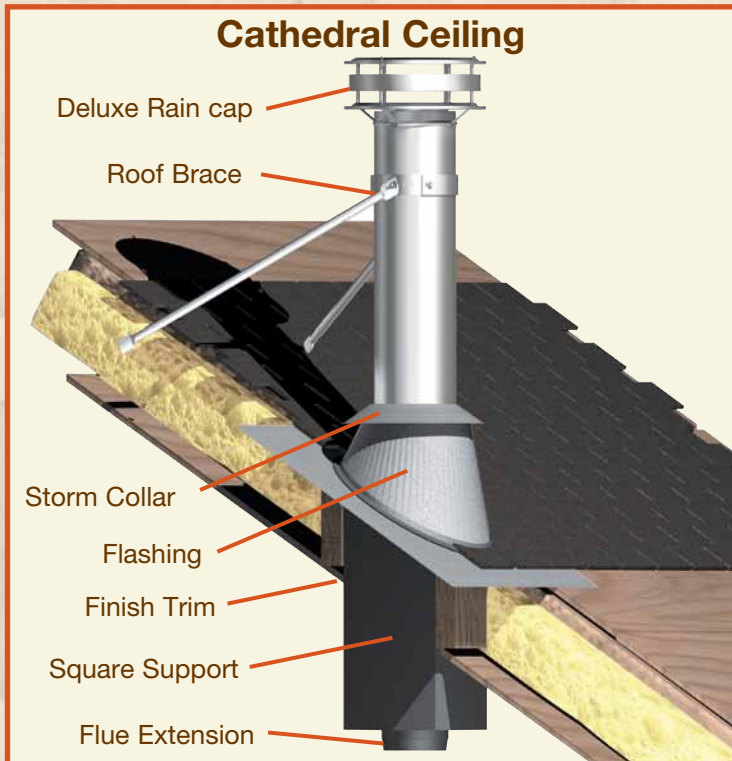
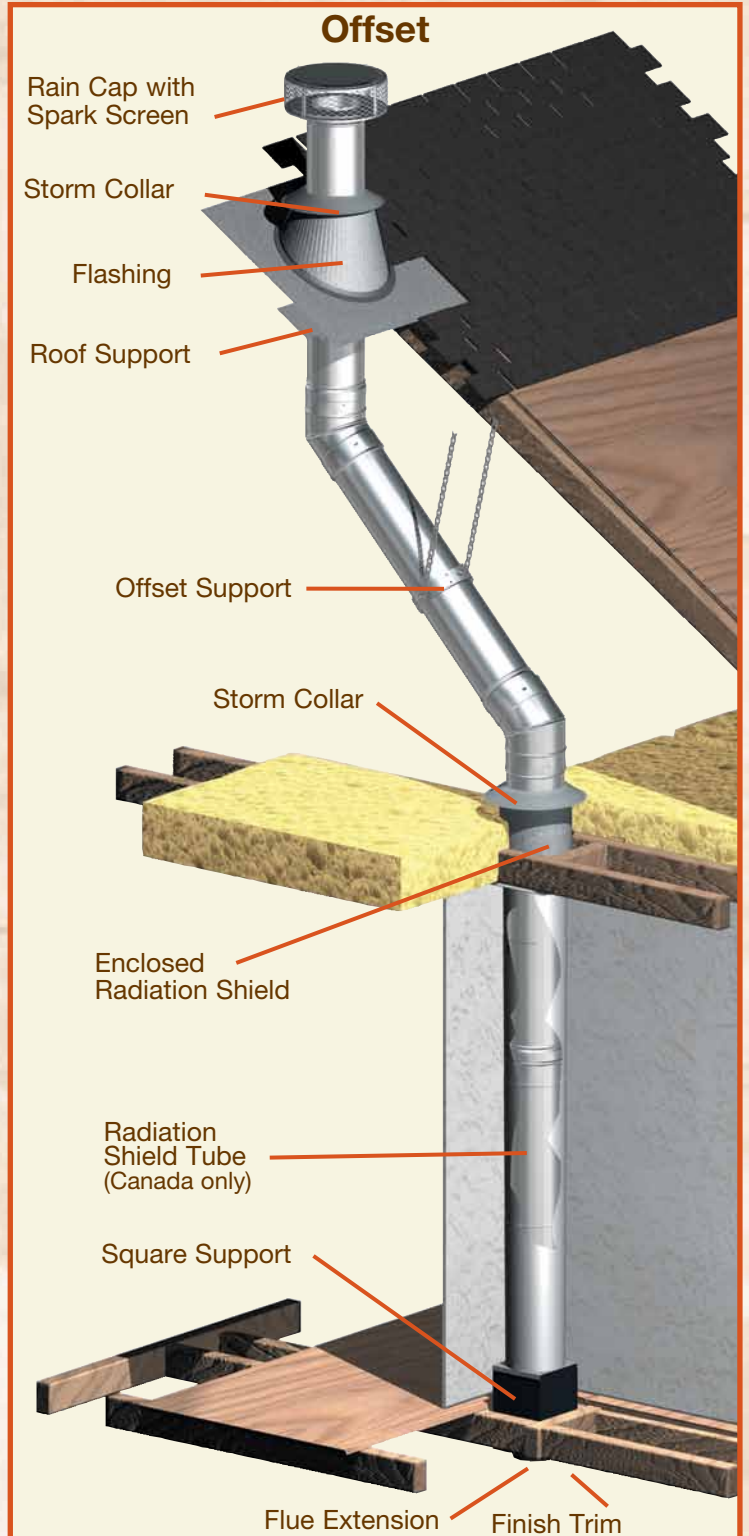
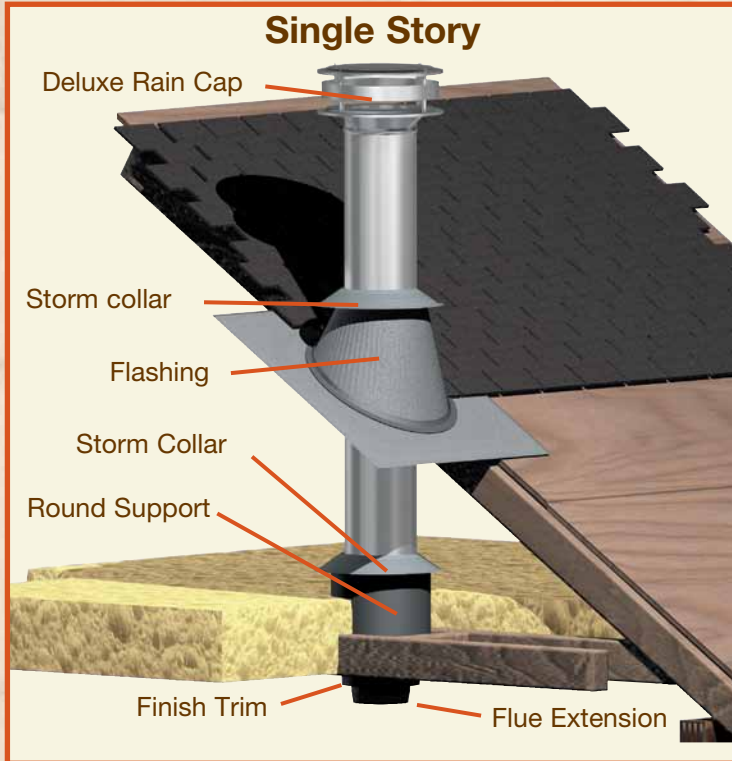


Never ever buy
another stove pipe

ULTRABlack

EXCEL Chimney

The most durable, easiest to install residential chimney system you can buy



EXCEL Chimney is Certified to Withstand Chimney Fires

- **EXCEL** is tested and listed to the ULC S-629 chimney standard. The ULC standard is generally considered the toughest residential chimney standard in the world. The USA standard requires the chimney to withstand three 10-minute 2100°F chimney fires. The Canadian standard requires the chimney to withstand three 30-minute chimney fires, **three times longer than the USA**.
- **EXCEL** is the only 1 inch wall chimney to pass the ULC standard.

You have less chance of a chimney fire with EXCEL

- **EXCEL**'s unique thermoplus insulation has an extremely high insulating value that helps to keep flue gasses hot. Creosote won't condense in a hot flue.
- **EXCEL** is the lightest weight chimney of its kind on the market. This low thermal mass enables it to heat up quickly, reducing creosote formation. And **EXCEL**'s light weight helps make it the easiest chimney to install.
- **EXCEL** incorporates continuous blanket insulation into a design which eliminates couplings between sections. This means there are no hot spots on the outside, or cool spots on the inside.

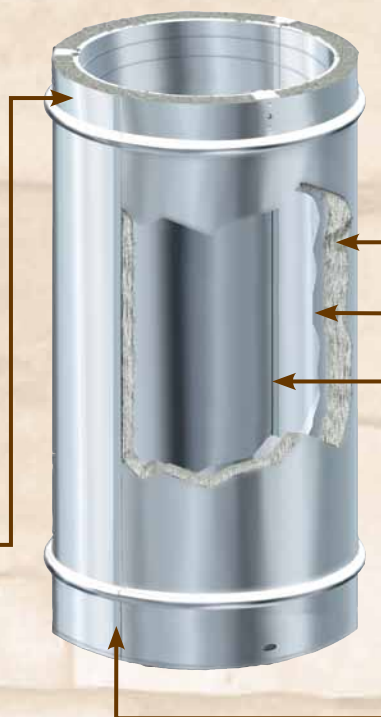
If you ever have a chimney fire, you'll be glad you have EXCEL Chimney

When a chimney fire erupts, the chimney liner goes from cool to hot in less than a minute. If the chimney design prevents the hot liner from expanding easily (a red hot stainless steel liner is extremely soft and flexible) the liner will buckle permanently. **EXCEL**'s unique design allows it to undergo repeated chimney fires without damage. That's why we are able to warrant **EXCEL** against damage from chimney fires.

Innovative Engineering

EXCEL does not have end caps. Eliminating end caps solves two major chimney design problems.

- End caps make the chimney more rigid at the joints, and can inhibit the ability of the flue to expand and contract. A hot flue needs to be able to expand without resistance to survive a chimney fire without damage.
- End caps conduct heat from the flue to the outside casing resulting in a cooler flue and a hotter outer casing, exactly the opposite of how a chimney is supposed to work.



Premium Materials

- **EXCEL** is made with soft flexible "Thermoplus" blanket insulation. "Thermoplus" stays soft even after years of use and multiple chimney fires. This allows the flue to expand easily during a chimney fire. The insulation used by the packed chimney manufacturers is forced in under pressure and can inhibit the ability of the flue to expand during a chimney fire resulting in a destroyed chimney. Blanket insulation cannot settle like packed insulation.
- **EXCEL**'s flue is .016", type 304 stainless steel.
- **EXCEL**'s casing is .016", type 434 stainless steel.

Superior Construction

EXCEL's continuous seam welded construction eliminates the weakest link in chimney design - the lock seam.

Continuous welding is slower and more expensive than conventional methods but it pays off by reducing mechanical stress under chimney fire conditions. Seam welding insures that the chimney is completely gas and water tight too, eliminating the possibility of moisture entering the chimney through the seams.

Improve the performance
& appearance of your **EXCEL** chimney
with specialty flashings & rain caps



Round Chase Top Rain Cap



Revolving Rain Cap



Flexible Base Flashing



Metal Roof Flashing

Patent:
CAN2460044 & US7114301

EXCEL

Technical Information

Certification

EXCEL is tested and listed by Warnock Hersey - Intertek Testing Services to two safety standards:

UL 103HT

The standard for solid and liquid fuel chimneys installed in the USA.

Along with many other tests, the UL 103HT Standard requires the chimney to withstand three 10 minute chimney fires at 2100°F. Listing #5965

ULC S-629

The standard for solid and liquid fuel chimneys installed in the USA.

Along with many other tests, the ULC S-629 Standard requires the chimney to withstand three 30 minute chimney fires at 2100°F. Listing #5965

Applications

EXCEL chimney is suitable for use on appliances that burn:

- Wood
- Oil
- Coal
- Gas
- Charcoal

It is specifically engineered for wood burning stoves, fireplaces and residential furnaces.

Allowable Flue Gas Temperatures

Max continuous 650°C (1200°F)
Brief Forced Firing 925°C (1700°F)
Tested To 1150°C (2100°F)

Clearance to Combustible Materials

2" clearance except in areas protected by factory-built supports certified for reduced clearance. **EXCEL** round and square supports permit the chimney to be installed with approximately 1" of clearance - in the area shielded by the support.

Construction

Flue:
.016" stainless steel

Casing:
.016" stainless steel

Seam:
Interior and exterior seams are continuous seam welded

Insulation:
Thermoplus continuous blanket

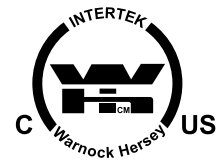
Wall thickness: 1"

Paint:
All black **EXCEL** components are painted with Forrest "Stove Bright" flat black paint

EXCEL dimensions and support capacities

Chimney size	5"	6"	7"	8"
Rough opening required (INCHES)				
Round support (ERDS)	10 x 10	10 x 10	11 x 11	12 x 12
Square support (ESS)	N/A	10 x 10	11 x 12	12 x 12
Roof support (ESR)	11 x 11	12 x 12	13 x 13	14 x 14
Offset support (EOS)	11 x 11	12 x 12	13 x 13	14 x 14
Radiation shield (ERS & ERSA)	11 x 11	12 x 12	13 x 13	14 x 14
Wall radiation shield (EWRS)	10 x 10	10 x 10	11 x 11	12 x 12
Maximum height per support (FEET)				
Round support (ERDS)	65	55	50	45
Square support (ESS)	N/A	55	50	45
Roof support (ESR)	65	55	50	45
Wall support (EWS)	50	44	37	35
Offset support (EOS)	35	30	27	25

Radiation shields must be used at all floor joist and ceiling areas



EXCEL has been tested and listed to the UL 103HT and ULC S-629 chimney standards by INTERTEK. Listing # 5965

NEVER, EVER BUY ANOTHER STOVE PIPE

Only **ULTRABlack** is covered by a true,
no questions asked, 100% full replacement,
LIFETIME WARRANTY

Hi-tech Performance - Old Fashioned Appearance

Double Wall Construction with a 3/8" air space between inner and outer pipes provides superior insulating value to single wall pipe. Better insulating value keeps flue gas temperatures higher. This helps your wood stove perform with an enhanced draft, which provides:

- less chance for moisture or soot build up within the vent
- reduced smoking of the stove at start up
- increased efficiency

ULTRABlack not only keeps the flue temperatures higher, it keeps the outer pipe temperatures cooler. This allows **ULTRABlack** to be installed with only 6" clearance to combustible materials. Single wall stove pipe requires an 18" clearance, which typically means your wood stove sits further away from the wall and takes up valuable space within the room.

Most attractive double wall product on the market; no unsightly slots or vents.

The outer casing is constructed of satin coat steel. Satin coat is attractive and durable when painted. **ULTRABlack** is painted with Forrest "Stove Bright" premium quality, high temperature paint to provide a rich appearance that complements your woodstove.



ULTRABlack

Double Wall Stove Pipe

Construction

Flue:

.016" stainless steel

Casing:

.019" satin coat steel.
Satin coat is specifically designed to be painted.

Seam:

Interior and exterior seams are seam welded.

Wall thickness:

Approximately 3/8"

Paint:

Forrest "Stove Bright" flat black.

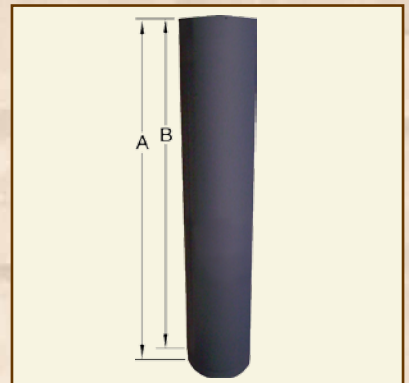
Fits all brands of type A chimney.
Fits almost all makes & models of wood stoves.

Fits oval to round.



Slip Length Dimensions

Code	A min.	A max.	B min.	B max.
UB6SF	2"	6"	1"	5"
UB12SF	2"	12"	1"	11"
UB18SF	2"	18"	1"	17"

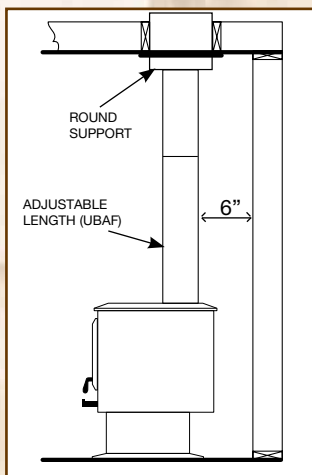


Adjustable Length Dimensions

Code	A min.	A max.	B min.	B max.
6UBAF	40"	68"	39"	67"
7UBAF	40"	68"	39"	67"
8UBAF	40"	68"	39"	67"

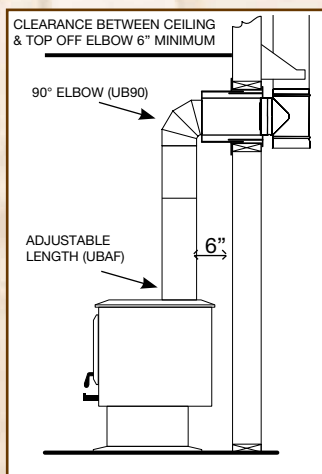
Straight up installation

For most straight up installations, the only part required is an adjustable length (UBAF). The UBAF adjusts to allow any overall length from 40" to 68".



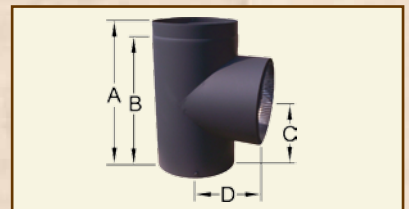
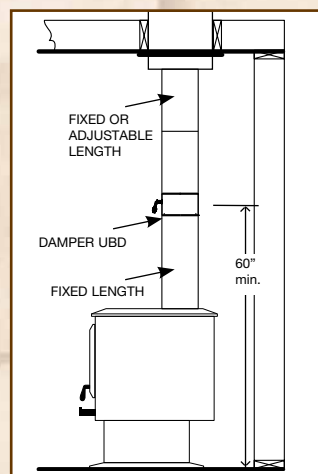
90° elbow installation

For most 90° elbow installations, you will only require an elbow (UB90) and an adjustable length (UBAF). If the height from the top of the stove to the top of the elbow is less than 48", you will require a short length plus a slip length (UBSF) for the vertical section of connector instead of the UBAF.



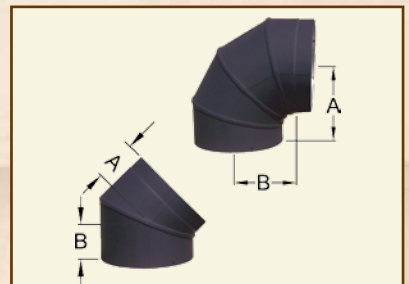
Damper installation (UBD)

The damper (UBD) allows you to control the air drawn through your chimney. As such, it controls your stove's combustion. When the handle is in the horizontal position, the damper is closed, creating a restriction in the chimney as far as combustion gases are concerned, and reducing the combustion process inside the stove. (In the close position, the damper is still 20% open so as not to completely block the chimney).



Tee Dimensions

Code	A	B	C	D
6UBT	12"	11"	6"	5 7/8"
7UBT	12"	11"	6"	6 3/8"
8UBT	12"	11"	6"	6 7/8"



Elbow Dimensions (30°, 45°, 90°)

Code	A	B
6UB30	2 5/16"	2 9/16"
7UB30	2 7/16"	2 11/16"
8UB30	2 9/16"	2 13/16"
6UB45	2 3/4"	3"
7UB45	2 15/16"	3 3/16"
8UB45	3 1/8"	3 3/8"
6UB90	5 9/16"	4 1/2"
7UB90	6 1/16"	5"
8UB90	6 9/16"	5 1/2"

We Build It Better, So We Back It Longer

EXCEL Lifetime Limited Warranty

Industrial Chimney Company (ICC) warrants its **EXCEL** chimney systems to be free from functional failure due to defects in material or workmanship for as long as the original consumer owns the chimney system. This warranty provides for replacement of any components which fail as a result of normal use on a residential fireplace, wood burning stove, furnace or boiler and includes replacement of any components damaged as a result of a chimney fire. (Note: chimney fires are dangerous and preventable. We strongly encourage you to have your chimney cleaned regularly.) ICC warrants all stainless steel chimney components against perforation as a result of corrosion. This warranty does not cover damage caused to the building by chimney fires or misuse of the product.

No claims under this warranty will be honored unless ICC is notified of the potential claim and is given the opportunity to have one of its agents examine the chimney prior to replacement.

ICC will only be responsible for repair or replacement of any components found to be defective under this warranty. In no event shall ICC be responsible for any incidental or consequential damage caused by defects in the **EXCEL** chimney system.

During the first ten years of the warranty, ICC will provide replacement chimney components at no charge. During the balance of the warranty, ICC will provide replacement chimney components at 50% of the current retail price at the time of the warranty claim.

ICC will not be responsible for labor of any kind required in the removal or replacement of an **EXCEL** system replaced under this warranty.

These chimneys are designed to vent residential heating oil, untreated wood, low sulphur coal, and natural or LP gas. They are designed to operate at a continuous temperature of 650°C (1200°F) or less. They are not designed to vent condensing oil or gas appliances. This warranty is void if the chimney is used in an application for which it is not designed.

The **EXCEL** systems must be installed according to the installation instructions included with every system at the time of purchase. If you do not have a set of installation instructions, they are available free upon request. This warranty is void if the chimney is not installed according to the installation instructions.

This warranty may not be extended or modified by our agents or representatives. This warranty is in lieu of all other express warranties or guarantees, of any kind.

This warranty is effective as of January 1, 2001.

ULTRABlack No Hassle Lifetime Warranty

We warranty the **ULTRABlack** chimney connector against burn out when it is used to vent a wood burning stove or free standing fireplace. If any component of your **ULTRABlack** stove pipe system ever burns out (develops a perforation as a result of use or corrosion), simply return it to any **EXCEL** dealer for a replacement part at no charge. Sorry, we won't pay any labor to remove or replace the **ULTRABlack**, and we won't pay the freight between you and the dealer.

The fine print: You don't need your original bill of sale. You don't need the date of installation. You don't need to show us that the chimney was cleaned regularly (but we do recommend it). You don't need to fill out a warranty card. You don't even need to know our toll-free number. Just bring the **ULTRABlack** to your local **EXCEL** dealer and they will give you a new one. Period.



400 J-F Kennedy
St. Jerome, Quebec
Canada, J7Y 4B7
Tel.: (450) 565-6336
Fax: (450) 565-6519
Web Site: www.icc-rsf.com

