



No Utility Bills Inc.

www.noutilitybills.com

Tel: (780)675-3409 / (780)628-4835

#301 Lyall Subdivision, County of Athabasca, AB, Canada
VIEWINGS BY APPOINTMENT ONLY!

List Price From	
Sale Price From	
* Prices subject to change without notice!	

Harman XXV 50,000 Btu Pellet Stove



Harman XXV Specifications	
Height	31-1/4"
Width	29"
Depth	26-3/4"
Flue Size	3" - Direct Vent
Weight	375 lbs
Maximum Capacity	50,000 BTU/hour
Side Clearance	12"
Rear Clearance	2-1/4"
Front Clearance	48"
Available Colors	Stock Satin Black
Fuse Rating	120V/60Hz/6amps

The Harman 25th Anniversary Cast Iron Pellet Stove is created with everything you expect in a Harman Pellet Stove. The beauty of cast iron, quality, functionality, automatic ignition, venting choices, automatic temperature control, dependability, a large ash pan that's easy to get to, and the convenience of super easy cleaning.

Harman XXV Features
Hook and Roller Door Latch
Adjustable Feet
Patented Feeder
Advanced Accordion Heat Exchanger
Air-Cooled Combustion Blower
Automatic Temperature Control
Room Temperature Sensor
Harman Patented Burner Pot With Automatic Ignition
ESP Probe
Large 65lb Hopper & Large Ash Pan



No Utility Bills Inc.

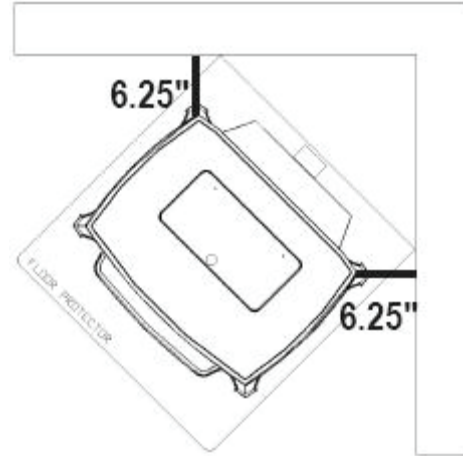
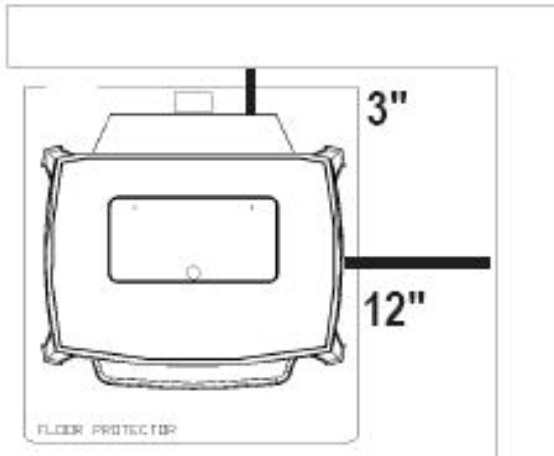
www.noutilitybills.com

Tel: (780)675-3409 / (780)628-4835

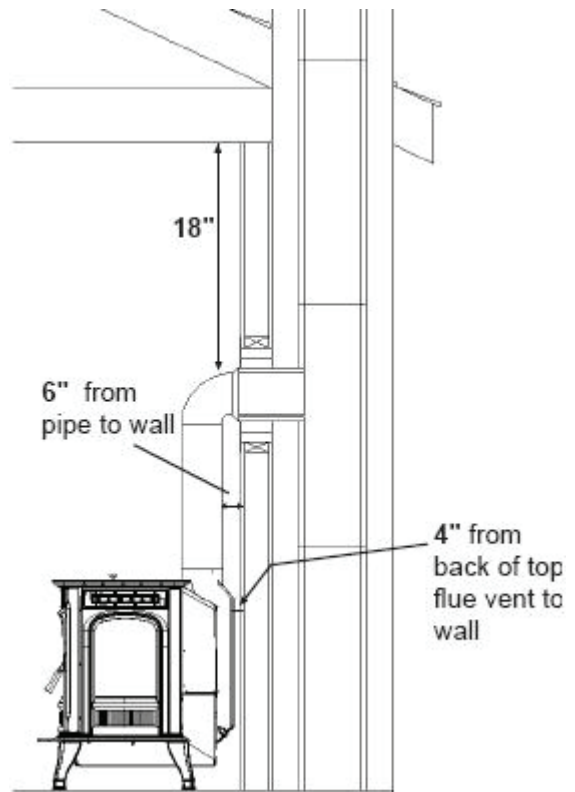
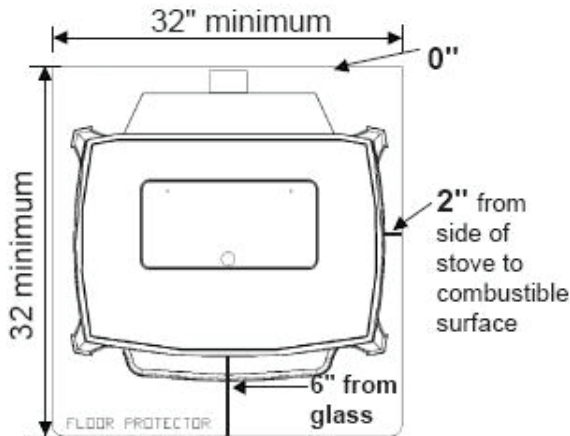
#301 Lyall Subdivision, County of Athabasca, AB, Canada

VIEWINGS BY APPOINTMENT ONLY!

Harman XXV Pellet Stove Clearances



Floor Protection must be 2 inches to each side, 6 inches to the front, and 0 inches to the back of the stove. Floor Protector minimum: 32" wide x 32" deep.



Optional Top Vent