



# No Utility Bills Inc.

[www.noutilitybills.com](http://www.noutilitybills.com)

Tel: (780)628-4835

#301 Lyall Subdivision, County of Athabasca, AB, Canada  
VIEWINGS BY APPOINTMENT ONLY!

List Price From	
List Price As Displayed	
Sale Price From	
Prices are subject to change without notice! 071908	

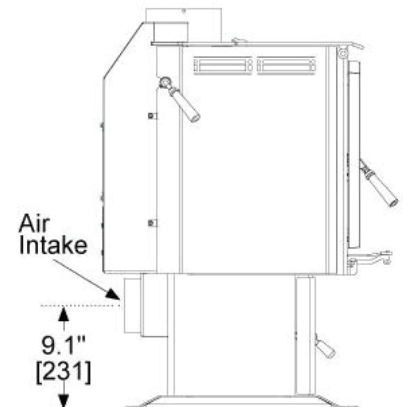
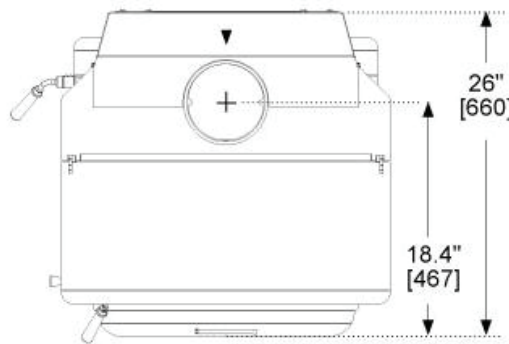
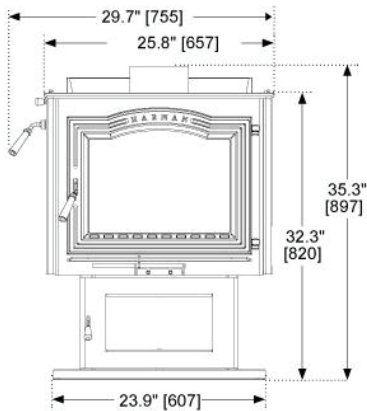
## The Harman TL2.0 Wood Stove

• Top and Front Loading • Outside Air Kit Ready



\* Shown with optional trim package \*

Fuel	Cord Wood
Btu Range	up to 58,000
Heating Capacity*	Up to 1,900 sq ft
Log Length	19 inches
Burn Time*	Up to 17 hours
Firebox Capacity	2.0 cubic feet
Average Emissions	2.6 Grams per hour
Blower Size	100 cfm (optional)
Flue Size	6 inches
*Minimum Chimney	16' Feet @ Sea Level
Weight	452 lbs
Trim Options	Brushed Stainless Steel
Ash Pan Tile Options	11 ceramic*, 4 slate, 1 stainless steel **
Outside Air	4" (optional)
Floor Protection	Non-combustible
Rear Clearance	7" *Minimum* W/DWSP
Mobile Home Approved	Yes *US Only*
Testing	UL 1482, UL 737, ULC-S627 Canada



The TL2.0 and TL2.6 top load door allows more wood to fit into the stove. First open the by-pass damper, then lift the lever to open the top load door.



Grill Option: Turn your TL2.X into a cooking grill by adding the optional grill insert.



The TL2.0 and TL2.6 have a huge ash pan for long intervals between ash removal. The folding handle makes it easy to remove and carry.



# No Utility Bills Inc.

[www.noutilitybills.com](http://www.noutilitybills.com)

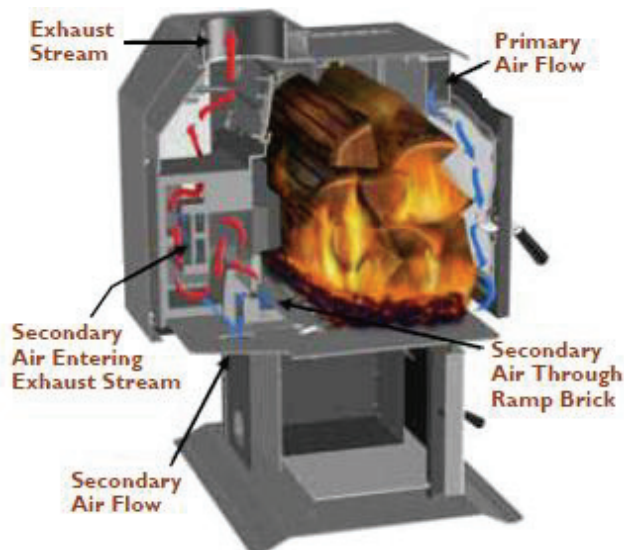
Tel: (780)628-4835

#301 Lyall Subdivision, County of Athabasca, AB, Canada

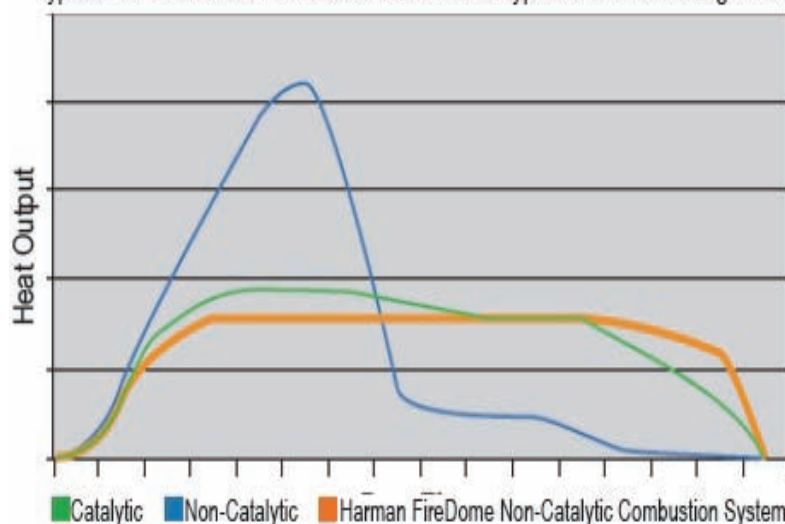
VIEWINGS BY APPOINTMENT ONLY!

## The Harman TL2.X FireDome Plus Combustion System

The basis of the efficiency on the TL 2.0 and 2.6 is Harman's exclusive FireDome Plus Combustion System. This system has a special dome shaped combustion chamber that mixes fresh air with the flue gases to concentrate and burn at higher temperatures for cleaner burns. It is also responsible for more even heat output over the burn time of each load of wood. With FireDome Plus, it's not unusual to have burn times of up to 18 hours! Every bit of fuel is completely burned, offering not only the longest burns, but pushing the maximum amount of heat into the room. When FireDome Plus is working properly, a huge flame will not be visible. The beauty of FireDome Plus is the "glow" from the rear of the firebox which is a sign that you are getting optimal heat and long burns. Less loading, easier maintenance, serious heat for longer, that's the Harman FireDome Plus.



Typical Low Burn Rate Patterns for Three Basic Types of Wood-Burning Stoves



Combustion in Harman Wood Stoves is best explained in two parts: **Primary** and **Secondary Combustion**. **Primary Combustion** occurs when air enters through the bottom front of the stove and is guided into the firebox along the front glass. This airflow provides air to the fire while keeping the glass clean. **Secondary Combustion** occurs in the FireDome combustion system. Additional air enters the bottom rear of the stove passes through holes in the rear brick. This air invigorates the fire at the rear of the firebox prior to entering the FireDome. Once in the FireDome the smoke is reburned prior to exiting the stove.

