



# No Utility Bills Inc.

[www.noutilitybills.com](http://www.noutilitybills.com)

Tel: (780)628-4835

#301 Lyall Subdivision, County of Athabasca, AB, Canada  
VIEWINGS BY APPOINTMENT ONLY!

List Price From	
Sale Price From	
* Prices subject to change without notice!	

## Harman PB-105 Pellet Boiler

The PB105 Pellet Boiler has automatic ignition, automatic temperature control, and Harman's patented pellet pro feeder and burn pot.

Designed for easy access to the burn pot, the entire hopper component swings open for performing maintenance and cleaning.

The PB105 packs 0 to 105,000 BTU and has a 205 lb. hopper capacity and an extra large ash pan.



Specifications	
BTU Range	0 to 113,900
Heating Capacity	2,500+ sq. ft.
Weight	900 lbs
Hopper Capacity	205 lbs
Flue Size	4" pellet vent pipe
Outside Air Size	2.75"
Fuse Rating	6 amp

### Responsible Heat

Pellet heat is carbon neutral. This means that switching from oil or gas to renewable fuels reduces the home's carbon footprint and makes a positive impact on our atmosphere. The high-efficiency PB-105 is an excellent source of environmentally responsible heat.

### Features Include:

- 3 Pass Heat Exchanger Design maintains maximum efficiency (85% efficiency)
- Insulated Water Jacket
- Electronic Temperature Control
- Swing Open Access to burn pot/firebox
- 120 VAC
- Front door with window for easy burn pot access and fire viewing



# No Utility Bills Inc.

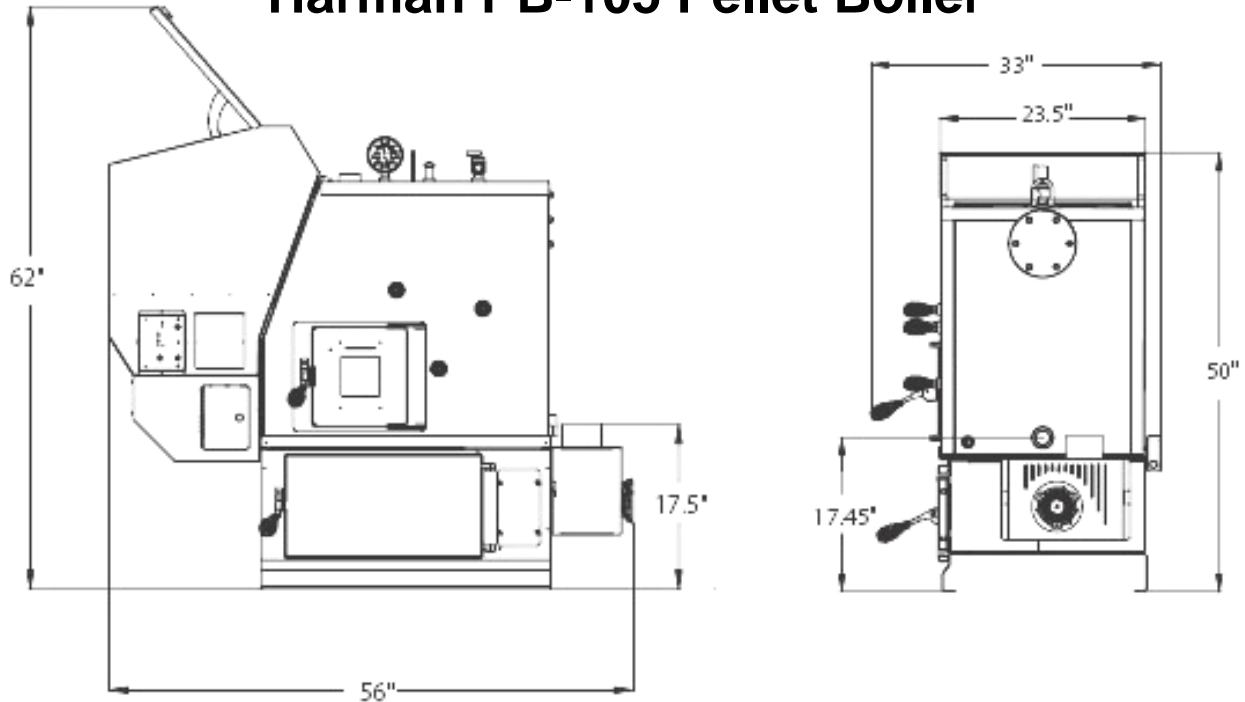
[www.noutilitybills.com](http://www.noutilitybills.com)

Tel: (780)628-4835

#301 Lyall Subdivision, County of Athabasca, AB, Canada

VIEWINGS BY APPOINTMENT ONLY!

## Harman PB-105 Pellet Boiler



### Clearances and Dimensions

Rear	6" (16.5" recommended for access)
Side	18" (Left) 20" (Right)
Front	36 inches

### Included Accessories:

- Water Temperature Sensor
- Outside Air Temperature Sensor
- Dual Boiler Water Temperature and Pressure Gauge
- Well for Water Sensor
- Pressure Relief Valve
- Boiler Water Drain Valve

### Options Available:

- Domestic Hot Water Coil